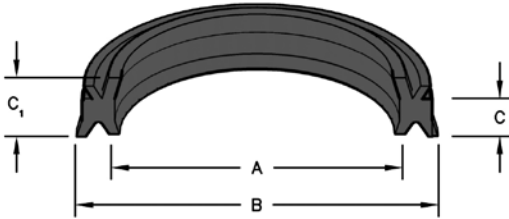




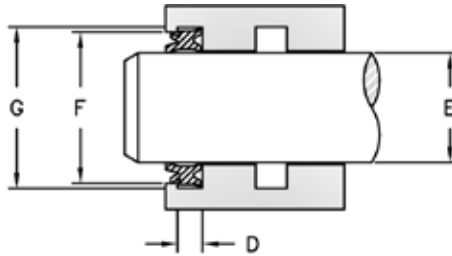
STYLE MPRW WIPERS

Double lip wiper with integrated pressure relief function incorporating special sealing and wiping edges.



PART NUMBERS

MPRW - 22 X 30 X 3.6
 Type of Seal Inside Diameter Outside Diameter Height



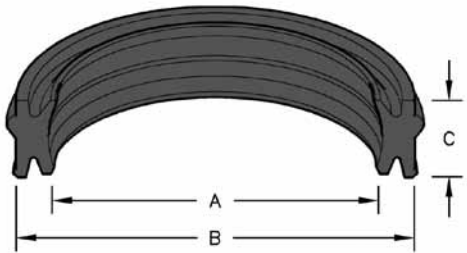
SEAL INFORMATION	
MATERIAL	94A URETHANE
TEMPERATURE RANGE	-34° TO +255° F
SPEED	1.65 FT/SEC

Part Number	A Nom. ID	B Nom. OD	C Nom. Ht	C ₁ OVERALL HEIGHT	D GROOVE WIDTH	E ROD DIAMETER	F THROAT DIAMETER	G HOUSING DIAMETER	List Price
MPRW-22X30X3.6	22	30	3.6	7.00	4.00 ^{+0.20} / _{+0.00}	22.00	28.00 ^{+0.084} / _{+0.000}	30.00 ^{+0.084} / _{+0.000}	\$7.85
MPRW-25X33X3.6	25	33	3.6	7.00	4.00 ^{+0.20} / _{+0.00}	25.00	31.00 ^{+0.10} / _{+0.00}	33.00 ^{+0.10} / _{+0.00}	8.79
MPRW-28X36X3.6	28	36	3.6	7.00	4.00 ^{+0.20} / _{+0.00}	28.00	34.00 ^{+0.10} / _{+0.00}	36.00 ^{+0.10} / _{+0.00}	9.20
MPRW-30X38X3.6	30	38	3.6	7.00	4.00 ^{+0.20} / _{+0.00}	30.00	36.00 ^{+0.10} / _{+0.00}	38.00 ^{+0.10} / _{+0.00}	9.20
MPRW-32X40X3.6	32	40	3.6	7.00	4.00 ^{+0.20} / _{+0.00}	32.00	38.00 ^{+0.10} / _{+0.00}	40.00 ^{+0.10} / _{+0.00}	9.20
MPRW-35X43X3.6	35	43	3.6	7.00	4.00 ^{+0.20} / _{+0.00}	35.00	41.00 ^{+0.10} / _{+0.00}	43.00 ^{+0.10} / _{+0.00}	9.53
MPRW-38X46X3.6	38	46	3.6	7.00	4.00 ^{+0.20} / _{+0.00}	38.00	44.00 ^{+0.10} / _{+0.00}	46.00 ^{+0.10} / _{+0.00}	10.01
MPRW-40X48X3.6	40	48	3.6	7.00	4.00 ^{+0.20} / _{+0.00}	40.00	46.00 ^{+0.10} / _{+0.00}	48.00 ^{+0.10} / _{+0.00}	10.01
MPRW-43X51X3.6	43	51	3.6	7.00	4.00 ^{+0.20} / _{+0.00}	43.00	49.00 ^{+0.10} / _{+0.00}	51.00 ^{+0.12} / _{+0.00}	11.62
MPRW-48X58X6	48	58	6	9.00	6.30 ^{+0.20} / _{+0.00}	48.00	55.00 ^{+0.12} / _{+0.00}	58.00 ^{+0.12} / _{+0.00}	12.71
MPRW-50X58X3.6	50	58	3.6	7.00	4.00 ^{+0.20} / _{+0.00}	50.00	56.00 ^{+0.12} / _{+0.00}	58.00 ^{+0.12} / _{+0.00}	12.71
MPRW-50X60X6	50	60	6	9.00	6.30 ^{+0.20} / _{+0.00}	50.00	57.00 ^{+0.12} / _{+0.00}	60.00 ^{+0.12} / _{+0.00}	12.71
MPRW-55X63X3.6	55	63	3.6	7.00	4.00 ^{+0.20} / _{+0.00}	55.00	61.00 ^{+0.12} / _{+0.00}	63.00 ^{+0.12} / _{+0.00}	13.38
MPRW-60X70X6	60	70	6	9.00	6.30 ^{+0.20} / _{+0.00}	60.00	67.00 ^{+0.12} / _{+0.00}	70.00 ^{+0.12} / _{+0.00}	14.06
MPRW-70X80X6	70	80	6	9.00	6.30 ^{+0.20} / _{+0.00}	70.00	77.00 ^{+0.12} / _{+0.00}	80.00 ^{+0.12} / _{+0.00}	15.33
MPRW-85X95X6	85	95	6	9.00	6.30 ^{+0.20} / _{+0.00}	85.00	92.00 ^{+0.14} / _{+0.00}	95.00 ^{+0.14} / _{+0.00}	21.07

STYLE MK51 WIPERS

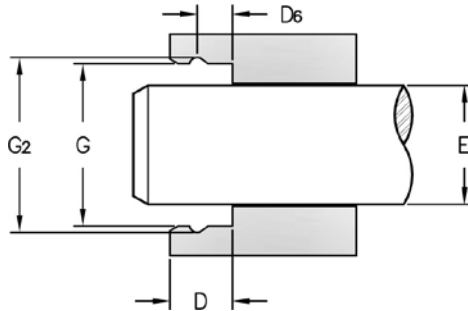


MK51 is a polyurethane pneumatic combo seal that is used as both a rod seal and wiper.



PART NUMBERS

MK51 - 12 X 22 X 10.4
 Type of Seal Inside Diameter Outside Diameter Height



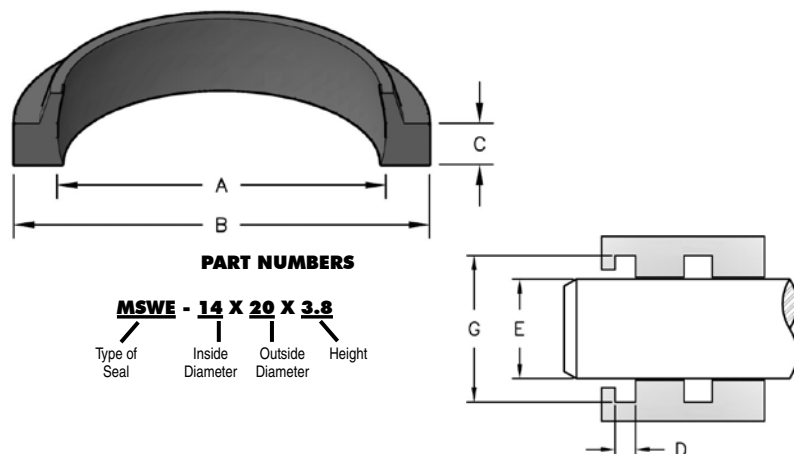
SEAL INFORMATION	
MATERIAL	92A POLYURETHANE
TEMPERATURE RANGE	-22° F, +200° F
MAXIMUM PRESSURE	230 PSI
SPEED	3 FT/SEC

Part Number	A Nom. ID	B Nom. OD	C Nom. Ht	D GROOVE WIDTH	E ROD DIAMETER	G HOUSING DIAMETER	G ₂ HOOK HOUSING DIAMETER	D ₆	List Price
MK51-12X22X10.4	12	22	10.4	13.00 +0.50 +0.00	12.00 -0.016 -0.059	22.00 +0.084 +0.000	24.20 ±0.10	7.70 +0.20 +0.00	\$8.42
MK51-16X26X10.4	16	26	10.4	13.00 +0.50 +0.00	16.00 -0.016 -0.059	26.00 +0.084 +0.000	28.20 ±0.10	7.70 +0.20 +0.00	8.59
MK51-18X28X10.4	18	28	10.4	13.00 +0.50 +0.00	18.00 -0.016 -0.059	28.00 +0.084 +0.000	30.20 ±0.10	7.70 +0.20 +0.00	8.87
MK51-20X30X10.4	20	30	10.4	13.00 +0.50 +0.00	20.00 -0.020 -0.072	30.00 +0.084 +0.000	32.20 ±0.10	7.70 +0.20 +0.00	9.65
MK51-25X35X10.4	25	35	10.4	13.00 +0.50 +0.00	25.00 -0.020 -0.072	35.00 +0.10 +0.000	37.80 ±0.10	8.00 +0.20 +0.00	10.32
MK51-32X42X10.4	32	42	10.4	13.00 +0.50 +0.00	32.00 -0.025 -0.087	42.00 +0.10 +0.000	44.80 ±0.10	8.00 +0.20 +0.00	11.27
MK51-40X50X10.4	40	50	10.4	13.00 +0.50 +0.00	40.00 -0.025 -0.087	50.00 +0.10 +0.000	52.80 ±0.10	8.00 +0.20 +0.00	15.47
MK51-50X60X10.4	50	60	10.4	13.00 +0.50 +0.00	50.00 -0.025 -0.087	60.00 +0.12 +0.000	63.60 ±0.10	8.60 +0.20 +0.00	16.87

Seal color may vary. Special order sizes are available.

STYLE MSWE SNAP-IN WIPERS

Molded in urethane, this wiper is flexible enough to easily snap into a groove yet tough enough to handle difficult rod wiping applications.



SEAL INFORMATION

MATERIAL	URETHANE
TEMPERATURE RANGE	-30° TO +200° F
SPEED	3 FT/SEC

Part Number	A Nom. ID	B Nom. OD	C Nom. Ht	D GROOVE WIDTH	E ROD DIAMETER	G HOUSING DIAMETER	List Price
MSWE-14X20X3.8	14	20	3.8	4.00 ^{+0.20} / _{+0.00}	14.00 ^{-0.016} / _{-0.043}	20.00 ^{+0.084} / _{+0.000}	\$2.55
MSWE-16X22X3	16	22	3	3.10 ^{+0.20} / _{+0.00}	16.00 ^{-0.016} / _{-0.043}	22.00 ^{+0.084} / _{+0.000}	2.68
MSWE-18X24X3.5	18	24.6	3.5	3.60 ^{+0.20} / _{+0.00}	18.00 ^{-0.016} / _{-0.043}	24.60 ^{+0.084} / _{+0.000}	2.12
MSWE-20X26X3	20	26	3	3.10 ^{+0.20} / _{+0.00}	20.00 ^{-0.020} / _{-0.053}	26.00 ^{+0.084} / _{+0.000}	2.24
MSWE-20X28X5	20	28	5	5.10 ^{+0.20} / _{+0.00}	20.00 ^{-0.020} / _{-0.053}	28.00 ^{+0.084} / _{+0.000}	1.97
MSWE-22X30X5	22	30	5	5.10 ^{+0.20} / _{+0.00}	22.00 ^{-0.020} / _{-0.053}	30.00 ^{+0.084} / _{+0.000}	2.55
MSWE-25X33X5	25	33	5	5.10 ^{+0.20} / _{+0.00}	25.00 ^{-0.020} / _{-0.053}	33.00 ^{+0.10} / _{+0.00}	2.93
MSWE-28X36X5	28	36	5	5.30 ^{+0.20} / _{+0.00}	28.00 ^{-0.020} / _{-0.053}	36.00 ^{+0.10} / _{+0.00}	3.17
MSWE-30X38X5	30	38	5	5.10 ^{+0.20} / _{+0.00}	30.00 ^{-0.020} / _{-0.053}	38.00 ^{+0.10} / _{+0.00}	4.85
MSWE-32X40X5	32	40	5	5.10 ^{+0.20} / _{+0.00}	32.00 ^{-0.025} / _{-0.064}	40.00 ^{+0.10} / _{+0.00}	4.41
MSWE-35X43X5	35	43	5	5.10 ^{+0.20} / _{+0.00}	35.00 ^{-0.025} / _{-0.064}	43.00 ^{+0.10} / _{+0.00}	7.15
MSWE-36X44X5	36	44	5	5.10 ^{+0.20} / _{+0.00}	36.00 ^{-0.025} / _{-0.064}	44.00 ^{+0.10} / _{+0.00}	6.32
MSWE-40X48X5	40	48	5	5.10 ^{+0.20} / _{+0.00}	40.00 ^{-0.025} / _{-0.064}	48.00 ^{+0.10} / _{+0.00}	7.15
MSWE-40X50X5	40	50	5	5.10 ^{+0.20} / _{+0.00}	40.00 ^{-0.025} / _{-0.064}	50.00 ^{+0.10} / _{+0.00}	7.41
MSWE-40X50X7	40	50	7	7.10 ^{+0.20} / _{+0.00}	40.00 ^{-0.025} / _{-0.064}	50.00 ^{+0.10} / _{+0.00}	8.73
MSWE-42X50X4	42	50	4	4.10 ^{+0.20} / _{+0.00}	42.00 ^{-0.025} / _{-0.064}	50.00 ^{+0.10} / _{+0.00}	23.30
MSWE-42X50X5	42	50	5	5.10 ^{+0.20} / _{+0.00}	42.00 ^{-0.025} / _{-0.064}	50.00 ^{+0.10} / _{+0.00}	6.43
MSWE-45X53X5	45	53	5	5.10 ^{+0.20} / _{+0.00}	45.00 ^{-0.025} / _{-0.064}	53.00 ^{+0.12} / _{+0.00}	6.26
MSWE-45X55X5	45	55	5	5.10 ^{+0.20} / _{+0.00}	45.00 ^{-0.025} / _{-0.064}	55.00 ^{+0.12} / _{+0.00}	6.40

STYLE MSWE SNAP-IN WIPERS



Part Number	A Nom. ID	B Nom. OD	C Nom. Ht	D GROOVE WIDTH	E ROD DIAMETER	G HOUSING DIAMETER	List Price
MSWE-50X58X5	50	58	5	5.10 ^{+0.20} / _{+0.00}	50.00 ^{-0.025} / _{-0.064}	58.00 ^{+0.12} / _{+0.00}	7.45
MSWE-50X60X5	50	60	5	5.10 ^{+0.20} / _{+0.00}	50.00 ^{-0.025} / _{-0.064}	60.00 ^{+0.12} / _{+0.00}	7.92
MSWE-50X60X7	50	60	7	7.10 ^{+0.20} / _{+0.00}	50.00 ^{-0.025} / _{-0.064}	60.00 ^{+0.12} / _{+0.00}	10.28
MSWE-55X63X5	55	63	5	5.10 ^{+0.20} / _{+0.00}	55.00 ^{-0.030} / _{-0.076}	63.00 ^{+0.12} / _{+0.00}	10.17
MSWE-55X65X6	55	65	6	6.10 ^{+0.20} / _{+0.00}	55.00 ^{-0.030} / _{-0.076}	65.00 ^{+0.12} / _{+0.00}	10.19
MSWE-56X64X5	56	64	5	5.10 ^{+0.20} / _{+0.00}	56.00 ^{-0.030} / _{-0.076}	64.00 ^{+0.12} / _{+0.00}	7.92
MSWE-56X66X6.3	56	66	6.3	6.40 ^{+0.20} / _{+0.00}	56.00 ^{-0.030} / _{-0.076}	66.00 ^{+0.12} / _{+0.00}	13.23
MSWE-60X68X5	60	68	5	5.10 ^{+0.20} / _{+0.00}	60.00 ^{-0.030} / _{-0.076}	68.00 ^{+0.12} / _{+0.00}	7.94
MSWE-60X70X7	60	70	7	7.10 ^{+0.20} / _{+0.00}	60.00 ^{-0.030} / _{-0.076}	70.00 ^{+0.12} / _{+0.00}	12.09
MSWE-63X71X5	63	71	5	5.10 ^{+0.20} / _{+0.00}	63.00 ^{-0.030} / _{-0.076}	71.00 ^{+0.12} / _{+0.00}	8.76
MSWE-63X73X6.3	63	73	6.3	6.40 ^{+0.20} / _{+0.00}	63.00 ^{-0.030} / _{-0.076}	73.00 ^{+0.12} / _{+0.00}	14.86
MSWE-65X73X5	65	73	5	5.10 ^{+0.20} / _{+0.00}	65.00 ^{-0.030} / _{-0.076}	73.00 ^{+0.12} / _{+0.00}	9.01
MSWE-65X75X7	65	75	7	7.10 ^{+0.20} / _{+0.00}	65.00 ^{-0.030} / _{-0.076}	75.00 ^{+0.12} / _{+0.00}	13.78
MSWE-70X78X5	70	78	5	5.10 ^{+0.20} / _{+0.00}	70.00 ^{-0.030} / _{-0.076}	78.00 ^{+0.12} / _{+0.00}	9.64
MSWE-70X82X7	70	82	7	7.10 ^{+0.20} / _{+0.00}	70.00 ^{-0.030} / _{-0.076}	82.00 ^{+0.14} / _{+0.00}	6.00
MSWE-75X83X5	75	83	5	5.10 ^{+0.20} / _{+0.00}	75.00 ^{-0.030} / _{-0.076}	83.00 ^{+0.14} / _{+0.00}	9.64
MSWE-78X88X5	78	88	5	5.10 ^{+0.20} / _{+0.00}	78.00 ^{-0.030} / _{-0.076}	88.00 ^{+0.14} / _{+0.00}	11.57
MSWE-80X88X5	80	88	5	5.10 ^{+0.20} / _{+0.00}	80.00 ^{-0.030} / _{-0.076}	88.00 ^{+0.14} / _{+0.00}	9.98
MSWE-80X90X6	80	90	6	6.20 ^{+0.20} / _{+0.00}	80.00 ^{-0.030} / _{-0.076}	90.00 ^{+0.14} / _{+0.00}	6.20
MSWE-80X92X7	80	92	7	7.10 ^{+0.20} / _{+0.00}	80.00 ^{-0.030} / _{-0.076}	92.00 ^{+0.14} / _{+0.00}	10.15
MSWE-85X93X5	85	93	5	5.10 ^{+0.20} / _{+0.00}	85.00 ^{-0.036} / _{-0.090}	93.00 ^{+0.14} / _{+0.00}	10.34
MSWE-85X97X7	85	97	7	7.20 ^{+0.20} / _{+0.00}	85.00 ^{-0.036} / _{-0.090}	97.20 ^{+0.14} / _{+0.00}	3.32
MSWE-90X98X5	90	98	5	5.10 ^{+0.20} / _{+0.00}	90.00 ^{-0.036} / _{-0.090}	98.00 ^{+0.14} / _{+0.00}	10.53
MSWE-90X100X6.3	90	100	6.3	6.40 ^{+0.20} / _{+0.00}	90.00 ^{-0.036} / _{-0.090}	100.00 ^{+0.14} / _{+0.00}	12.00
MSWE-90X102X7	90	102	7	7.10 ^{+0.20} / _{+0.00}	90.00 ^{-0.036} / _{-0.090}	102.00 ^{+0.14} / _{+0.00}	6.94
MSWE-95X107X7	95	107	7	7.10 ^{+0.20} / _{+0.00}	95.00 ^{-0.036} / _{-0.090}	107.00 ^{+0.14} / _{+0.00}	11.92
MSWE-99X109X5	99	109	5	5.10 ^{+0.20} / _{+0.00}	99.00 ^{-0.036} / _{-0.090}	109.00 ^{+0.14} / _{+0.00}	13.02
MSWE-100X115X9.5	100	115	9.5	9.50 ^{+0.20} / _{+0.00}	100.00 ^{-0.036} / _{-0.090}	115.00 ^{+0.14} / _{+0.00}	20.99
MSWE-105X113X5	105	113.6	5	5.30 ^{+0.20} / _{+0.00}	105.00 ^{-0.036} / _{-0.090}	113.60 ^{+0.14} / _{+0.00}	20.11
MSWE-105X117.2X7	105	117.2	7	7.10 ^{+0.20} / _{+0.00}	105.00 ^{-0.036} / _{-0.090}	117.20 ^{+0.14} / _{+0.00}	10.92

STYLE MSWE SNAP-IN WIPERS

Part Number	A Nom. ID	B Nom. OD	C Nom. Ht	D GROOVE WIDTH	E ROD DIAMETER	G HOUSING DIAMETER	List Price
MSWE-110X122X7	110	122	7	7.10 ^{+0.20} / _{+0.00}	110.00 ^{-0.036} / _{-0.090}	122.00 ^{+0.16} / _{+0.00}	11.94
MSWE-115X127X7	115	127	7	7.10 ^{+0.20} / _{+0.00}	115.00 ^{-0.036} / _{-0.090}	127.00 ^{+0.16} / _{+0.00}	11.94
MSWE-118X128X6	118	128	6	7.00 ^{+0.30} / _{+0.00}	118.00 ^{-0.036} / _{-0.090}	128.00 ^{+0.16} / _{+0.00}	26.32
MSWE-120X128X5	120	128	5	5.10 ^{+0.20} / _{+0.00}	120.00 ^{-0.036} / _{-0.090}	128.00 ^{+0.16} / _{+0.00}	13.92
MSWE-120X130X5	120	130	5	5.10 ^{+0.20} / _{+0.00}	120.00 ^{-0.036} / _{-0.090}	130.00 ^{+0.16} / _{+0.00}	15.44
MSWE-120X132X7	120	132	7	7.10 ^{+0.20} / _{+0.00}	120.00 ^{-0.036} / _{-0.090}	132.00 ^{+0.16} / _{+0.00}	11.94
MSWE-125X137X7	125	137	7	7.10 ^{+0.20} / _{+0.00}	125.00 ^{-0.043} / _{-0.106}	137.00 ^{+0.16} / _{+0.00}	13.53
MSWE-130X142X7	130	142	7	7.10 ^{+0.20} / _{+0.00}	130.00 ^{-0.043} / _{-0.106}	142.00 ^{+0.16} / _{+0.00}	13.53
MSWE-140X148X5	140	148	5	5.10 ^{+0.20} / _{+0.00}	140.00 ^{-0.043} / _{-0.106}	148.00 ^{+0.16} / _{+0.00}	26.16
MSWE-140X152X7	140	152	7	7.10 ^{+0.20} / _{+0.00}	140.00 ^{-0.043} / _{-0.106}	152.00 ^{+0.16} / _{+0.00}	13.07
MSWE-140X155X10	140	155	10	10.20 ^{+0.20} / _{+0.00}	140.00 ^{-0.043} / _{-0.106}	155.00 ^{+0.16} / _{+0.00}	50.10
MSWE-141X151X5	141	151	5	5.10 ^{+0.20} / _{+0.00}	141.00 ^{-0.043} / _{-0.106}	151.00 ^{+0.16} / _{+0.00}	16.07
MSWE-150X162X7	150	162	7	7.10 ^{+0.20} / _{+0.00}	150.00 ^{-0.043} / _{-0.106}	162.00 ^{+0.16} / _{+0.00}	16.37
MSWE-155X168X7	155	168	7	8.00 ^{+0.30} / _{+0.00}	155.00 ^{-0.043} / _{-0.106}	168.00 ^{+0.16} / _{+0.00}	114.86
MSWE-160X168X5	160	168	5	5.10 ^{+0.20} / _{+0.00}	160.00 ^{-0.043} / _{-0.106}	168.00 ^{+0.16} / _{+0.00}	17.06
MSWE-160X179X9	160	179	9	9.10 ^{+0.20} / _{+0.00}	160.00 ^{-0.043} / _{-0.106}	179.00 ^{+0.16} / _{+0.00}	97.91
MSWE-160X175X10	160	175	10	10.10 ^{+0.20} / _{+0.00}	160.00 ^{-0.043} / _{-0.106}	175.00 ^{+0.16} / _{+0.00}	13.53
MSWE-162X172X5	162	172	5	5.10 ^{+0.20} / _{+0.00}	162.00 ^{-0.043} / _{-0.106}	172.00 ^{+0.16} / _{+0.00}	21.88
MSWE-183X193X5	183	193	5	5.10 ^{+0.20} / _{+0.00}	183.00 ^{-0.050} / _{-0.122}	193.00 ^{+0.185} / _{+0.000}	31.33
MSWE-195X210X9	195	210	9	9.10 ^{+0.20} / _{+0.00}	195.00 ^{-0.050} / _{-0.122}	210.00 ^{+0.185} / _{+0.000}	19.49
MSWE-200X220X10	200	220	10	10.10 ^{+0.20} / _{+0.00}	200.00 ^{-0.050} / _{-0.122}	220.00 ^{+0.185} / _{+0.000}	65.90
MSWE-207X217X5	207	217	5	5.10 ^{+0.20} / _{+0.00}	207.00 ^{-0.050} / _{-0.122}	217.00 ^{+0.185} / _{+0.000}	34.56
MSWE-220X235X10	220	235	10	10.10 ^{+0.20} / _{+0.00}	220.00 ^{-0.050} / _{-0.122}	235.00 ^{+0.185} / _{+0.000}	20.33

MADE TO ORDER STYLE MSWE SNAP-IN WIPERS

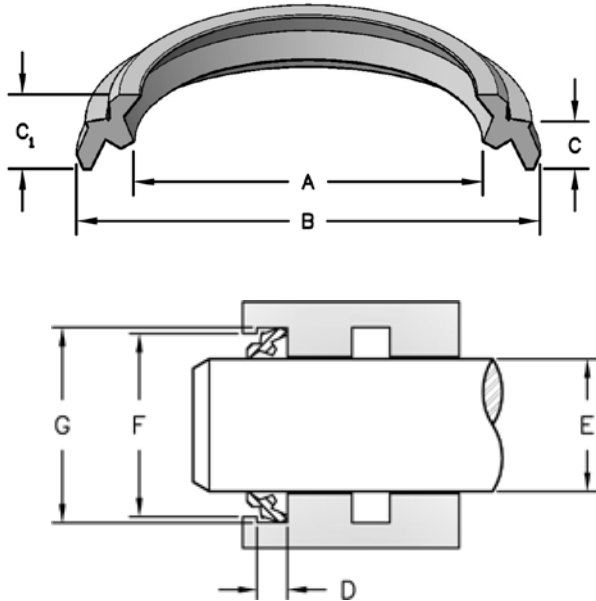


Part Number	List Price	Part Number	List Price	Part Number	List Price
MSWE-4X8X2.6	\$ 7.07	MSWE-78X92X3	\$ 8.80	MSWE-145X160X9	\$ 10.64
MSWE-25.4X34.92X5.84	7.18	MSWE-91X99X5.3	9.14	MSWE-150X165X10	10.75
MSWE-36X43X5	7.31	MSWE-94X102X5	9.25	MSWE-155.75X175.41X4.75	10.87
MSWE-40X50X5V	7.42	MSWE-95X103X5	9.38	MSWE-160X172X7	22.37
MSWE-50X56X1.7	7.76	MSWE-95X108X7	9.49	MSWE-170X182X7	28.12
MSWE-50X62X5	7.99	MSWE-100X112.2X6.5	9.60	MSWE-190X210X10	45.36
MSWE-52X64X9	8.10	MSWE-110X122.6X8.3	9.83	MSWE-220X240X10	56.86
MSWE-53X60X7	8.22	MSWE-110X125.2X7.5	9.95	MSWE-245X265X10	62.62
MSWE-63X71.6X5.3	8.34	MSWE-114.3X125.32X3.4	10.06	MSWE-400X420X10	74.12
MSWE-65X82X5.5	8.46	MSWE-118X128X5	10.17	MSWE-480X500X10	79.87
MSWE-70X78.6X5.3	8.57	MSWE-125X133X5	10.29	MSWE-500X520X10	85.62
MSWE-75X85X7	8.68	MSWE-126X134X5	10.41		

Seal color may vary. Special order sizes are available

STYLE MSWH24 SNAP-IN WIPERS

Style MSWH24 wipers are molded in Zurcon® Z201 urethane. This double-acting wiper is designed for severe operating conditions.



SEAL INFORMATION	
MATERIAL	92A URETHANE
TEMPERATURE RANGE	-31° TO +230° F
SPEED	1.5 FT/SEC
PART NUMBER	(PREFIX) - (ID) X (OD) X (H)

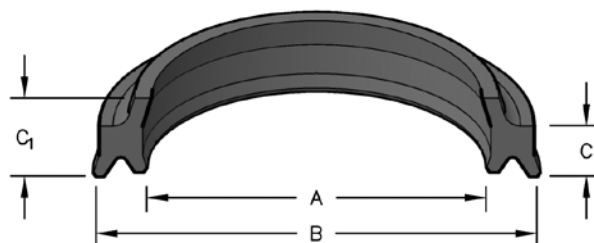
Part Number	A Nom. ID	B Nom. OD	C Nom. Ht	C ₁ OVERALL HEIGHT	D GROOVE WIDTH	E ROD DIAMETER	F THROAT DIAMETER	G HOUSING DIAMETER	List Price
MSWH24-45X53.8X6.3	45	53.8	6.2	9.40	6.30 ^{+0.15} / _{+0.00}	45.00 ^{-0.025} / _{-0.064}	49.40 ^{+0.062} / _{+0.000}	53.80 ^{+0.074} / _{+0.000}	\$7.70
MSWH24-50X58.8X6.3	50	58.8	6.2	9.40	6.30 ^{+0.15} / _{+0.00}	50.00 ^{+0.074} / _{-0.064}	54.40 ^{+0.074} / _{+0.000}	58.80 ^{+0.074} / _{+0.000}	7.88
MSWH24-56X64.8X6.3	56	64.8	6.2	9.40	6.30 ^{+0.15} / _{+0.00}	56.00 ^{-0.030} / _{-0.076}	60.40 ^{+0.074} / _{+0.000}	64.80 ^{+0.074} / _{+0.000}	8.04
MSWH24-60X68.8X6.3	60	68.8	6.2	9.40	6.30 ^{+0.15} / _{+0.00}	60.00 ^{-0.030} / _{-0.076}	64.40 ^{+0.074} / _{+0.000}	68.80 ^{+0.074} / _{+0.000}	8.20
MSWH24-70X82.2X8.1	70	82.2	8	12.00	8.10 ^{+0.15} / _{+0.00}	70.00 ^{-0.030} / _{-0.076}	76.00 ^{+0.074} / _{+0.000}	82.20 ^{+0.087} / _{+0.000}	10.09
MSWH24-75X87.2X8.1	75	87.2	8	12.00	8.10 ^{+0.15} / _{+0.00}	75.00 ^{-0.030} / _{-0.076}	81.00 ^{+0.087} / _{+0.000}	87.20 ^{+0.087} / _{+0.000}	10.43
MSWH24-80X92.2X8.1	80	92.2	8	12.00	8.10 ^{+0.15} / _{+0.00}	80.00 ^{-0.030} / _{-0.076}	86.00 ^{+0.087} / _{+0.000}	92.20 ^{+0.087} / _{+0.000}	10.77
MSWH24-85X97.2X8.1	85	97.2	8	12.00	8.10 ^{+0.15} / _{+0.00}	85.00 ^{-0.036} / _{-0.090}	91.00 ^{+0.087} / _{+0.000}	97.20 ^{+0.087} / _{+0.000}	12.14
MSWH24-90X102.2X8.1	90	102.2	8	12.00	8.10 ^{+0.15} / _{+0.00}	90.00 ^{-0.036} / _{-0.090}	96.00 ^{+0.087} / _{+0.000}	102.20 ^{+0.087} / _{+0.000}	14.53
MSWH24-95X107.2X8.1	95	107.2	8	12.00	8.10 ^{+0.15} / _{+0.00}	95.00 ^{-0.036} / _{-0.090}	101.00 ^{+0.087} / _{+0.000}	107.20 ^{+0.087} / _{+0.000}	14.69
MSWH24-100X112.2X8.1	100	112.2	8	12.00	8.10 ^{+0.15} / _{+0.00}	100.00 ^{-0.036} / _{-0.090}	106.00 ^{+0.087} / _{+0.000}	112.20 ^{+0.087} / _{+0.000}	19.13
MSWH24-105X117.2X8.1	105	117.2	8	12.00	8.10 ^{+0.15} / _{+0.00}	105.00 ^{-0.036} / _{-0.090}	111.00 ^{+0.087} / _{+0.000}	117.20 ^{+0.087} / _{+0.000}	19.31
MSWH24-110X122.2X8.1	110	122.2	8	12.00	8.10 ^{+0.15} / _{+0.00}	110.00 ^{-0.036} / _{-0.090}	116.00 ^{+0.087} / _{+0.000}	122.20 ^{+0.10} / _{+0.00}	21.70
MSWH24-115X127.2X8.1	115	127.2	8	12.00	8.10 ^{+0.15} / _{+0.00}	115.00 ^{-0.036} / _{-0.090}	121.00 ^{+0.10} / _{+0.00}	127.20 ^{+0.10} / _{+0.00}	22.55
MSWH24-125X137.2X8.1	125	137.2	8	12.00	8.10 ^{+0.15} / _{+0.00}	125.00 ^{-0.043} / _{-0.106}	131.00 ^{+0.10} / _{+0.00}	137.20 ^{+0.10} / _{+0.00}	24.40

Seal color may vary. Special order sizes are available.

STYLE MSWH SNAP-IN WIPERS

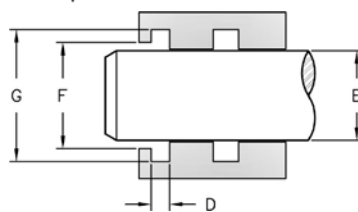


Molded in urethane, this wiper features a double lip which prevents fluid that seeps by the rod seal from exiting the cylinder.



PART NUMBERS

MSWH - 12 X 18 X 3.6
 Type of Seal | Inside Diameter | Outside Diameter | Height



SEAL INFORMATION	
MATERIAL	URETHANE
TEMPERATURE RANGE	-30° TO +200° F
SPEED	3 FT/SEC

Part Number	A Nom. ID	B Nom. OD	C Nom. Ht	C ₁ OVERALL HEIGHT	D GROOVE WIDTH	E ROD DIAMETER	F THROAT DIAMETER	G HOUSING DIAMETER	List Price
MSWH-12X18X3.6	12	18	3.6	7.00	4.00 ^{+0.20} / _{+0.00}	12.00 ^{-0.016} / _{-0.043}	14.50 ^{+0.11} / _{+0.00}	18.00 ^{+0.043} / _{+0.000}	\$18.25
MSWH-14X20X3.6	14	20	3.6	7.00	4.00 ^{+0.20} / _{+0.00}	14.00 ^{-0.016} / _{-0.043}	16.50 ^{+0.11} / _{+0.00}	20.00 ^{+0.052} / _{+0.000}	18.80
MSWH-14X22X4.5	14	22	4.5	6.00	5.00 ^{+0.20} / _{+0.00}	14.00 ^{-0.016} / _{-0.043}	18.30 ^{+0.13} / _{+0.00}	22.00 ^{+0.052} / _{+0.000}	2.59
MSWH-16X24X4.5	16	24	4.5	6.00	5.00 ^{+0.20} / _{+0.00}	16.00 ^{-0.016} / _{-0.043}	20.30 ^{+0.13} / _{+0.00}	24.00 ^{+0.052} / _{+0.000}	2.74
MSWH-18X24X3.6	18	24	3.6	7.00	4.00 ^{+0.20} / _{+0.00}	18.00 ^{-0.016} / _{-0.043}	20.50 ^{+0.13} / _{+0.00}	24.00 ^{+0.052} / _{+0.000}	11.93
MSWH-18X26X4.5	18	26	4.5	6.00	5.00 ^{+0.20} / _{+0.00}	18.00 ^{-0.016} / _{-0.043}	22.30 ^{+0.13} / _{+0.00}	26.00 ^{+0.052} / _{+0.000}	2.74
MSWH-20X26X3.8	20	26	3.8	4.70	4.00 ^{+0.20} / _{+0.00}	20.00 ^{+0.000} / _{-0.052}	22.50 ^{+0.20} / _{+0.00}	26.00 ^{+0.084} / _{+0.000}	3.46
MSWH-20X28X4.5	20	28	4.5	6.00	5.00 ^{+0.20} / _{+0.00}	20.00 ^{-0.020} / _{-0.053}	24.30 ^{+0.13} / _{+0.00}	28.00 ^{+0.052} / _{+0.000}	2.89
MSWH-22X28X3.6	22	28	3.6	5.00	4.00 ^{+0.20} / _{+0.00}	22.00 ^{-0.020} / _{-0.053}	24.50 ^{+0.13} / _{+0.00}	28.00 ^{+0.052} / _{+0.000}	20.20
MSWH-22.4X30.4X4.5	22.4	30.4	4.5	6.00	5.00 ^{+0.20} / _{+0.00}	22.40 ^{-0.020} / _{-0.053}	26.70 ^{+0.13} / _{+0.00}	30.40 ^{+0.062} / _{+0.000}	2.97
MSWH-23.5X31.5X4.5	23.5	31.5	4.5	6.00	5.00 ^{+0.20} / _{+0.00}	23.50 ^{-0.020} / _{-0.053}	27.80 ^{+0.13} / _{+0.00}	31.50 ^{+0.062} / _{+0.000}	2.97
MSWH-25X32X3.75	25	32	3.6	4.80	4.00 ^{+0.20} / _{+0.00}	25.00 ^{-0.020} / _{-0.053}	27.50 ^{+0.13} / _{+0.00}	32.00 ^{+0.062} / _{+0.000}	14.53
MSWH-25X33X4.5	25	33	4.5	6.00	5.00 ^{+0.20} / _{+0.00}	25.00 ^{-0.020} / _{-0.053}	29.30 ^{+0.13} / _{+0.00}	33.00 ^{+0.062} / _{+0.000}	3.13
MSWH-28X36X4.5	28	36	4.5	6.00	5.00 ^{+0.20} / _{+0.00}	28.00 ^{-0.020} / _{-0.053}	31.00 ^{+0.16} / _{+0.00}	36.00 ^{+0.062} / _{+0.000}	3.13
MSWH-30X38X5	30	38.6	5	7.00	5.30 ^{+0.20} / _{+0.00}	30.00 ^{-0.020} / _{-0.053}	33.00 ^{+0.16} / _{+0.00}	38.60 ^{+0.062} / _{+0.000}	3.23
MSWH-31.5X39.5X5	31.5	39.5	5	6.50	6.00 ^{+0.20} / _{+0.00}	31.50 ^{-0.025} / _{-0.064}	35.50 ^{+0.16} / _{+0.00}	39.50 ^{+0.062} / _{+0.000}	3.42
MSWH-32X40X5	32	40.6	5	7.00	5.30 ^{+0.20} / _{+0.00}	32.00 ^{-0.025} / _{-0.064}	35.00 ^{+0.16} / _{+0.00}	40.60 ^{+0.062} / _{+0.000}	5.99
MSWH-32X40X6	32	40	6	8.40	6.00 ^{+0.20} / _{+0.00}	32.00 ^{-0.025} / _{-0.064}	35.00 ^{+0.16} / _{+0.00}	40.00 ^{+0.062} / _{+0.000}	17.65
MSWH-35X44X3.6	35	44	3.6		3.60	35.00 ^{-0.025} / _{-0.064}		44.00 ^{+0.062} / _{+0.000}	25.45
MSWH-35X43X4.8	35	43	4.8	7.50	5.00 ^{+0.20} / _{+0.00}	35.00 ^{-0.025} / _{-0.064}	38.00 ^{+0.16} / _{+0.00}	43.00 ^{+0.16} / _{+0.00}	5.99
MSWH-35X43X5	35	43	5	6.50	6.00 ± 0.20	35.00 ^{-0.025} / _{-0.064}	38.00 ^{+0.16} / _{+0.00}	43.00 ^{+0.00} / _{-0.20}	3.84

STYLE MSWH SNAP-IN WIPERS

Part Number	A Nom. ID	B Nom. OD	C Nom. Ht	C ₁ OVERALL HEIGHT	D GROOVE WIDTH	E ROD DIAMETER	F THROAT DIAMETER	G HOUSING DIAMETER	List Price
MSWH-35.5X43.5X5	35.5	43.5	5	6.50	6.00 ^{+0.20} / _{+0.00}	35.50 ^{-0.025} / _{-0.064}	39.50 ^{+0.16} / _{+0.00}	43.50 ^{+0.062} / _{+0.000}	4.05
MSWH-36X44X4.5	36	44	4.5	6.00	5.00 ^{+0.20} / _{+0.00}	36.00 ^{-0.025} / _{-0.064}	39.00 ^{+0.16} / _{+0.00}	44.00 ^{+0.062} / _{+0.000}	7.98
MSWH-36X44X6	36	44	6	8.40	6.00 ^{+0.20} / _{+0.00}	36.00 ^{-0.025} / _{-0.064}	39.00 ^{+0.16} / _{+0.00}	44.00 ^{+0.062} / _{+0.000}	22.50
MSWH-40X50.6X4.6	40	50.6	4.6	6.90	5.10 ^{+0.20} / _{+0.00}	40.00 ^{-0.025} / _{-0.064}	44.00 ± 0.10	50.60 ^{+0.00} / _{-0.20}	5.04
MSWH-40X50X4.7	40	50	4.7		5.00 ± 0.13	40.00 ^{-0.025} / _{-0.064}	46.30 ^{+0.16} / _{+0.00}	50.00 ± 0.08	3.66
MSWH-40X48X5	40	48.6	5	7.00	5.30 ^{+0.20} / _{+0.00}	40.00 ^{-0.025} / _{-0.064}	43.00 ^{+0.16} / _{+0.00}	48.60 ^{+0.062} / _{+0.000}	4.33
MSWH-40X48X6	40	48	6	8.40	6.00 ^{+0.20} / _{+0.00}	40.00 ^{-0.025} / _{-0.064}	43.00 ^{+0.16} / _{+0.00}	48.00 ^{+0.062} / _{+0.000}	18.21
MSWH-42X51X4.5	42	51	4.5	6.00	5.00 ^{+0.20} / _{+0.00}	42.00 ^{-0.025} / _{-0.064}	47.30 ^{+0.16} / _{+0.00}	51.00 ^{+0.074} / _{+0.000}	20.30
MSWH-45X53X4.5	45	53	4.5	6.00	5.00 ^{+0.20} / _{+0.00}	45.00 ^{-0.025} / _{-0.064}	48.00 ^{+0.16} / _{+0.00}	53.00 ^{+0.074} / _{+0.000}	21.40
MSWH-45X53X5	45	53.6	5	7.00	5.30 ^{+0.20} / _{+0.00}	45.00 ^{-0.025} / _{-0.064}	48.00 ^{+0.16} / _{+0.00}	53.60 ^{+0.074} / _{+0.000}	4.75
MSWH-45X53X5.4-ME	45	53	5.4	8.40	6.00 ^{+0.20} / _{+0.00}	45.00 ^{-0.020} / _{-0.082}	48.00 ^{+0.16} / _{+0.00}	53.00 ^{+0.19} / _{+0.00}	16.90
MSWH-50X59X3.6	50	59	3.6	4.80	4.00 ^{+0.20} / _{+0.00}	50.00 ^{-0.025} / _{-0.064}	54.00 ± 0.10	59.00 ^{-1.00} / _{-1.20}	8.34
MSWH-50X58X4.5	50	58	4.5	6.00	5.00 ^{+0.20} / _{+0.00}	50.00 ^{-0.025} / _{-0.064}	53.00 ^{+0.19} / _{+0.00}	58.00 ^{+0.074} / _{+0.000}	9.65
MSWH-50X58X5	50	58.6	5	7.00	5.30 ^{+0.20} / _{+0.00}	50.00 ^{-0.025} / _{-0.064}	53.00 ^{+0.19} / _{+0.00}	58.60 ^{+0.074} / _{+0.000}	5.16
MSWH-50X60X5	50	60.6	5	7.00	5.30 ^{+0.20} / _{+0.00}	50.00 ^{-0.025} / _{-0.064}	53.00 ^{+0.19} / _{+0.00}	60.60 ^{+0.074} / _{+0.000}	19.28
MSWH-50X58X6	50	58	6	8.70	6.00 ^{+0.20} / _{+0.00}	50.00 ^{-0.025} / _{-0.064}	53.00 ^{+0.19} / _{+0.00}	58.00 ^{+0.074} / _{+0.000}	25.02
MSWH-53X61X5	53	61	5	6.50	6.00 ^{+0.20} / _{+0.00}	53.00 ^{-0.030} / _{-0.076}	57.00 ^{+0.19} / _{+0.00}	61.00 ^{+0.074} / _{+0.000}	5.43
MSWH-55X63X5	55	63.6	5	7.00	5.30 ^{+0.20} / _{+0.00}	55.00 ^{-0.030} / _{-0.076}	58.00 ^{+0.19} / _{+0.00}	63.60 ^{+0.074} / _{+0.000}	5.62
MSWH-56X64X5	56	64.6	5	7.00	5.30 ^{+0.20} / _{+0.00}	56.00 ^{-0.030} / _{-0.076}	59.00 ^{+0.19} / _{+0.00}	64.60 ^{+0.074} / _{+0.000}	5.62
MSWH-56X66X5.3	56	66	5.3	7.00	6.00 ^{+0.20} / _{+0.00}	56.00 ^{-0.030} / _{-0.076}	59.00 ^{+0.19} / _{+0.00}	66.00 ^{+0.074} / _{+0.000}	22.80
MSWH-60X68X5	60	68.6	5	7.00	5.30 ^{+0.20} / _{+0.00}	60.00 ^{-0.030} / _{-0.076}	63.00 ^{+0.19} / _{+0.00}	68.60 ^{+0.074} / _{+0.000}	6.01
MSWH-63X71X5	63	71.6	5	7.00	5.30 ^{+0.20} / _{+0.00}	63.00 ^{-0.030} / _{-0.076}	66.00 ^{+0.19} / _{+0.00}	71.60 ^{+0.074} / _{+0.000}	6.01
MSWH-65X73X5	65	73.6	5	7.00	5.30 ^{+0.20} / _{+0.00}	65.00 ^{-0.030} / _{-0.076}	68.00 ^{+0.19} / _{+0.00}	73.60 ^{+0.074} / _{+0.000}	6.01
MSWH-67X75X5	67	75	5	6.50	6.00 ^{+0.20} / _{+0.00}	67.00 ^{-0.030} / _{-0.076}	71.00 ^{+0.19} / _{+0.00}	75.00 ^{+0.074} / _{+0.000}	6.01
MSWH-70X80X5.5	70	80	5.5	8.00	6.00 ^{+0.20} / _{+0.00}	70.00 ^{-0.030} / _{-0.076}	73.00 ^{+0.19} / _{+0.00}	80.00 ^{+0.074} / _{+0.000}	10.59
MSWH-70X80X6	70	80	6	8.00	7.00 ^{+0.20} / _{+0.00}	70.00 ^{-0.030} / _{-0.076}	75.00 ^{+0.19} / _{+0.00}	80.00 ^{+0.074} / _{+0.000}	7.49
MSWH-71X81X6	71	81	6	8.00	7.00 ^{+0.20} / _{+0.00}	71.00 ^{-0.030} / _{-0.076}	76.00 ^{+0.19} / _{+0.00}	81.00 ^{+0.087} / _{+0.000}	7.49
MSWH-75X85X5.5	75	85	5.5	8.00	6.00 ^{+0.20} / _{+0.00}	75.00 ^{-0.030} / _{-0.076}	78.00 ^{+0.19} / _{+0.00}	85.00 ^{+0.087} / _{+0.000}	16.30
MSWH-75X85X6	75	85	6	8.00	7.00 ^{+0.20} / _{+0.00}	75.00 ^{-0.030} / _{-0.076}	80.00 ^{+0.19} / _{+0.00}	85.00 ^{+0.087} / _{+0.000}	7.93
MSWH-79X89X4.5	79	89	4.5	7.00	5.00 ^{+0.20} / _{+0.00}	79.00 ^{-0.030} / _{-0.076}	84.00 ^{+0.22} / _{+0.00}	89.00 ^{+0.087} / _{+0.000}	19.09

STYLE MSWH SNAP-IN WIPERS



Part Number	A Nom. ID	B Nom. OD	C Nom. Ht	C ₁ OVERALL HEIGHT	D GROOVE WIDTH	E ROD DIAMETER	F THROAT DIAMETER	G HOUSING DIAMETER	List Price
MSWH-80X90X6	80	90	6	8.00	7.00 ^{+0.20} / _{+0.00}	80.00 ^{-0.030} / _{-0.076}	85.00 ^{+0.22} / _{+0.00}	90.00 ^{+0.087} / _{+0.000}	7.93
MSWH-85X95X6	85	95	6	8.00	7.00 ^{+0.20} / _{+0.00}	85.00 ^{-0.036} / _{-0.090}	90.00 ^{+0.22} / _{+0.00}	95.00 ^{+0.087} / _{+0.000}	8.22
MSWH-90X100X5.3	90	100	5.3		6.00 ^{+0.20} / _{+0.00}	90.00 ^{-0.036} / _{-0.090}	93.00 ^{+0.22} / _{+0.00}	100.00 ^{+0.087} / _{+0.000}	30.77
MSWH-90X100X6	90	100	6	8.00	7.00 ^{+0.20} / _{+0.00}	90.00 ^{-0.036} / _{-0.090}	95.00 ^{+0.22} / _{+0.00}	100.00 ^{+0.087} / _{+0.000}	8.89
MSWH-98X108X4.5	98	108	4.5	7.00	5.00 ^{+0.20} / _{+0.00}	98.00 ^{-0.036} / _{-0.090}	103.00 ^{+0.22} / _{+0.00}	108.00 ^{+0.087} / _{+0.000}	19.88
MSWH-98X108X6	98	108	6	8.00	7.00 ^{+0.20} / _{+0.00}	98.00 ^{-0.036} / _{-0.090}	103.00 ^{+0.22} / _{+0.00}	108.00 ^{+0.087} / _{+0.000}	11.65
MSWH-100X110X6	100	110	6	9.00	7.00 ^{+0.20} / _{+0.00}	100.00 ^{-0.036} / _{-0.090}	105.00 ^{+0.22} / _{+0.00}	110.00 ^{+0.087} / _{+0.000}	12.89
MSWH-110X125X7.5	110	125	7.5	9.50	8.50 ^{+0.20} / _{+0.00}	110.00 ^{-0.036} / _{-0.090}	114.00 ^{+0.22} / _{+0.00}	125.00 ^{+0.10} / _{+0.00}	45.57
MSWH-112X122X6	112	122	6	8.00	7.00 ^{+0.20} / _{+0.00}	112.00 ^{-0.036} / _{-0.090}	117.00 ^{+0.22} / _{+0.00}	122.00 ^{+0.10} / _{+0.00}	14.31
MSWH-117X127X5.5	117	127	5.5	8.00	6.00 ^{+0.20} / _{+0.00}	117.00 ^{-0.036} / _{-0.090}	122.00 ^{+0.25} / _{+0.00}	127.00 ^{+0.10} / _{+0.00}	27.72
MSWH-125X138X7	125	138	7	9.50	8.00 ^{+0.20} / _{+0.00}	125.00 ^{-0.043} / _{-0.106}	132.00 ^{+0.25} / _{+0.00}	138.00 ^{+0.10} / _{+0.00}	15.50
MSWH-136X146X5.5	136	146	5.5	8.00	6.00 ^{+0.20} / _{+0.00}	136.00 ^{-0.043} / _{-0.106}	142.00 ^{+0.25} / _{+0.00}	146.00 ^{+0.10} / _{+0.00}	30.17
MSWH-136X149X7	136	149	7	9.50	8.00 ^{+0.20} / _{+0.00}	136.00 ^{-0.043} / _{-0.106}	143.00 ^{+0.25} / _{+0.00}	149.00 ^{+0.10} / _{+0.00}	16.80
MSWH-140X153X7	140	153	7	9.50	8.00 ^{+0.20} / _{+0.00}	140.00 ^{-0.043} / _{-0.106}	147.00 ^{+0.25} / _{+0.00}	153.00 ^{+0.10} / _{+0.00}	17.09
MSWH-140X155X7.5	140	155	7.5	9.50	8.50 ^{+0.20} / _{+0.00}	140.00 ^{-0.043} / _{-0.106}	144.00 ^{+0.25} / _{+0.00}	155.00 ^{+0.10} / _{+0.00}	54.11
MSWH-145X158X7	145	158	7	9.50	8.00 ^{+0.20} / _{+0.00}	145.00 ^{-0.043} / _{-0.106}	152.00 ^{+0.25} / _{+0.00}	158.00 ^{+0.10} / _{+0.00}	17.09
MSWH-155X165X5.5	155	165	5.5	8.00	6.00 ^{+0.20} / _{+0.00}	155.00 ^{-0.043} / _{-0.106}	160.00 ^{+0.25} / _{+0.00}	165.00 ^{+0.10} / _{+0.00}	32.78
MSWH-160X174X7	160	174	7	9.50	8.00 ^{+0.20} / _{+0.00}	160.00 ^{-0.043} / _{-0.106}	167.00 ^{+0.25} / _{+0.00}	174.00 ^{+0.10} / _{+0.00}	19.10
MSWH-176X186X5.5	176	186	5.5	8.00	6.00 ^{+0.20} / _{+0.00}	176.00 ^{-0.043} / _{-0.106}	180.00 ^{+0.25} / _{+0.00}	186.00 ^{+0.115} / _{+0.000}	55.43
MSWH-198X208X5.5	198	208	5.5	8.00	6.00 ^{+0.20} / _{+0.00}	198.00 ^{-0.050} / _{-0.122}	203.00 ^{+0.29} / _{+0.00}	208.00 ^{+0.115} / _{+0.000}	58.23

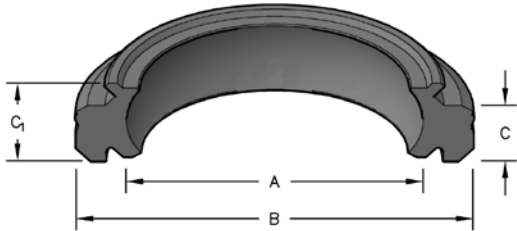
MADE TO ORDER STYLE MSWH SNAP-IN WIPERS

Part Number	List Price	Part Number	List Price
MSWH-130X142.2X7.1	\$ 15.81	MSWH-160X172X7	\$ 20.35



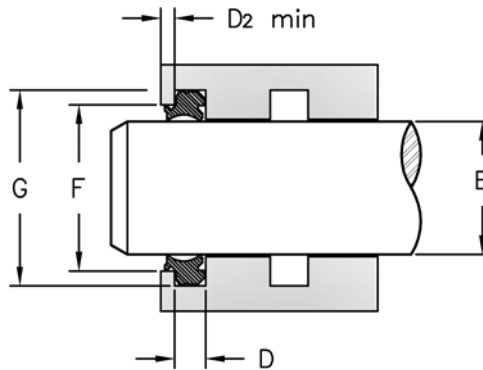
STYLE MWSCK SNAP-IN WIPERS

Molded in nitrile, this double lipped wiper is common in Toyota lift trucks.



PART NUMBERS

MWSCK - 25 X 37 X 6
 Type of Seal: MWSCK
 Inside Diameter: 25
 Outside Diameter: 37
 Height: 6



SEAL INFORMATION	
MATERIAL	NITRILE
TEMPERATURE RANGE	-49° TO +212° F
SPEED	3 FT/SEC

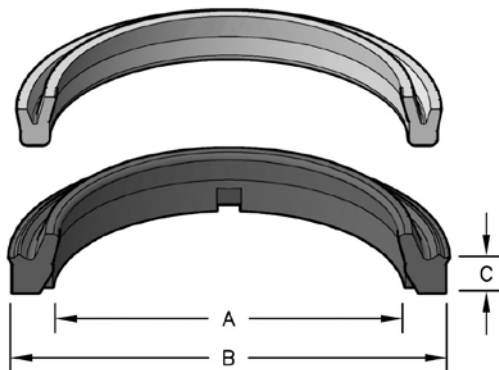
Part Number	A Nom. ID	B Nom. OD	C Nom. Ht	C ₁ OVERALL HEIGHT	D GROOVE WIDTH	E ROD DIAMETER	F THROAT DIAMETER	G HOUSING DIAMETER	D ₂ OUTER THROAT DEPTH	C HEIGHT	List Price
MWSCK-20X32X6	20	32	6	7.70	6.00 ^{+0.30} / _{+0.00}	20.00 ^{-0.020} / _{-0.053}	26.00 ±0.10	32.00 ^{+0.00} / _{-0.20}	3.00	5.80	\$9.01
MWSCK-25X37X6	25	37	6	7.70	6.00 ^{+0.30} / _{+0.00}	25.00 ^{-0.020} / _{-0.053}	31.00 ±0.10	37.00 ^{+0.00} / _{-0.20}	3.00	5.80	11.11
MWSCK-30X42X6	30	42	6	7.70	6.00 ^{+0.30} / _{+0.00}	30.00 ^{-0.020} / _{-0.053}	36.00 ±0.10	42.00 ^{+0.00} / _{-0.20}	3.00	5.80	11.56
MWSCK-35X47X7	35	47	7	8.70	7.00 ^{+0.30} / _{+0.00}	35.00 ^{-0.025} / _{-0.064}	41.00 ±0.10	47.00 ^{+0.00} / _{-0.20}	3.00	6.80	16.79
MWSCK-40X52X7	40	52	7	8.70	7.00 ^{+0.30} / _{+0.00}	40.00 ^{-0.025} / _{-0.064}	46.00 ±0.10	52.00 ^{+0.00} / _{-0.20}	3.00	6.80	17.75
MWSCK-45X57X7	45	57	7	8.70	7.00 ^{+0.30} / _{+0.00}	45.00 ^{-0.025} / _{-0.064}	51.00 ±0.10	57.00 ^{+0.00} / _{-0.20}	3.00	6.80	18.63
MWSCK-50X62X7	50	62	7	8.70	7.00 ^{+0.30} / _{+0.00}	50.00 ^{-0.025} / _{-0.064}	56.00 ±0.10	62.00 ^{+0.00} / _{-0.20}	3.00	6.80	19.94
MWSCK-55X69X8	55	69	8	10.00	8.00 ^{+0.30} / _{+0.00}	55.00 ^{-0.030} / _{-0.076}	62.00 ±0.10	69.00 ^{+0.00} / _{-0.20}	3.00	7.70	20.72
MWSCK-60X74X8	60	74	8	10.00	8.00 ^{+0.30} / _{+0.00}	60.00 ^{-0.030} / _{-0.076}	67.00 ±0.10	74.00 ^{+0.00} / _{-0.20}	3.00	7.70	21.50
MWSCK-65X79X8	65	79	8	10.00	8.00 ^{+0.30} / _{+0.00}	65.00 ^{-0.030} / _{-0.076}	72.00 ±0.10	79.00 ^{+0.00} / _{-0.20}	3.00	7.70	22.27
MWSCK-70X84X8	70	84	8	10.00	8.00 ^{+0.30} / _{+0.00}	70.00 ^{-0.030} / _{-0.076}	77.00 ±0.10	84.00 ^{+0.00} / _{-0.20}	3.00	7.70	23.05
MWSCK-75X89X8	75	89	8	10.00	8.00 ^{+0.30} / _{+0.00}	75.00 ^{-0.030} / _{-0.076}	82.00 ±0.10	89.00 ^{+0.00} / _{-0.20}	3.00	7.70	23.83
MWSCK-80X94X8	80	94	8	10.00	8.00 ^{+0.30} / _{+0.00}	80.00 ^{-0.030} / _{-0.076}	87.00 ±0.10	94.00 ^{+0.00} / _{-0.20}	3.00	7.70	24.60
MWSCK-85X99X8	85	99	8	10.00	8.00 ^{+0.30} / _{+0.00}	85.00 ^{-0.036} / _{-0.090}	92.00 ±0.10	99.00 ^{+0.00} / _{-0.20}	3.00	7.70	25.38

Seal color may vary. Special order sizes are available.

STYLE MSW SNAP-IN WIPERS

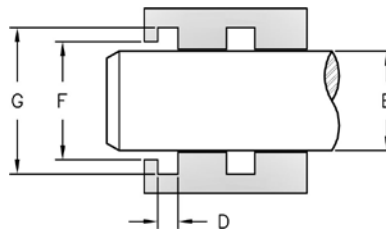


Molded in urethane, this wiper features a lip on the outer diameter to aid in contaminant exclusion.



PART NUMBERS

MSW - 20 X 28 X 4.5
 Type of Seal Inside Diameter Outside Diameter Height



SEAL INFORMATION	
MATERIAL	URETHANE
TEMPERATURE RANGE	-30° TO +200° F
SPEED	3 FT/SEC

Part Number	A Nom. ID	B Nom. OD	C Nom. Ht	D GROOVE WIDTH	E ROD DIAMETER	F THROAT DIAMETER	G HOUSING DIAMETER	List Price
MSW-20X28X4.5	20	28	4.5	5.50 ^{+0.30} / _{+0.00}	20.00 ^{-0.020} / _{-0.053}	24.00 ±0.10	28.00 ^{+0.00} / _{-0.20}	\$2.05
MSW-25X33X4.5	25	33	4.5	5.50 ^{+0.30} / _{+0.00}	25.00 ^{-0.020} / _{-0.053}	29.00 ±0.10	33.00 ^{+0.00} / _{-0.20}	3.05
MSW-25X34X4.5	25	34	4.5	5.50 ^{+0.30} / _{+0.00}	25.00 ^{-0.020} / _{-0.053}	29.50 ±0.10	34.00 ^{+0.00} / _{-0.20}	4.20
MSW-30X38X5	30	38	5	6.00 ^{+0.30} / _{+0.00}	30.00 ^{-0.020} / _{-0.053}	34.00 ±0.10	38.00 ^{+0.00} / _{-0.20}	7.54
MSW-35X43X5	35	43	5	6.00 ^{+0.30} / _{+0.00}	35.00 ^{-0.025} / _{-0.064}	39.00 ±0.10	43.00 ^{+0.00} / _{-0.20}	4.18
MSW-40X48X4.5	40	48	4.5	5.50 ^{+0.30} / _{+0.00}	40.00 ^{-0.025} / _{-0.064}	44.00 ±0.10	48.00 ^{+0.00} / _{-0.20}	4.59
MSW-40X48X5	40	48	5	6.00 ^{+0.30} / _{+0.00}	40.00 ^{-0.025} / _{-0.064}	44.00 ±0.10	48.00 ^{+0.00} / _{-0.20}	4.59
MSW-40X50X6	40	50	6	7.00 ^{+0.30} / _{+0.00}	40.00 ^{-0.025} / _{-0.064}	45.00 ±0.10	50.00 ^{+0.00} / _{-0.20}	4.59
MSW-45X53X5	45	53	5	6.00 ^{+0.30} / _{+0.00}	45.00 ^{-0.025} / _{-0.064}	49.00 ±0.10	53.00 ^{+0.00} / _{-0.20}	5.61
MSW-45X55X6	45	55	6	7.00 ^{+0.30} / _{+0.00}	45.00 ^{-0.025} / _{-0.064}	50.00 ±0.10	55.00 ^{+0.00} / _{-0.20}	5.61
MSW-50X58X5	50	58	5	6.00 ^{+0.30} / _{+0.00}	50.00 ^{-0.025} / _{-0.064}	54.00 ±0.10	58.00 ^{+0.00} / _{-0.20}	6.37
MSW-50X60X6	50	60	6	7.00 ^{+0.30} / _{+0.00}	50.00 ^{-0.025} / _{-0.064}	55.00 ±0.10	60.00 ^{+0.00} / _{-0.20}	6.37
MSW-55X63X5	55	63	5	6.00 ^{+0.30} / _{+0.00}	55.00 ^{-0.030} / _{-0.076}	59.00 ±0.10	63.00 ^{+0.00} / _{-0.20}	17.18
MSW-55X65X6	55	65	6	7.00 ^{+0.30} / _{+0.00}	55.00 ^{-0.030} / _{-0.076}	60.00 ±0.10	65.00 ^{+0.00} / _{-0.20}	11.39
MSW-60X68X5	60	68	5	6.00 ^{+0.30} / _{+0.00}	60.00 ^{-0.030} / _{-0.076}	64.00 ±0.10	68.00 ^{+0.00} / _{-0.20}	7.71
MSW-60X73X7	60	73	7	8.00 ^{+0.30} / _{+0.00}	60.00 ^{-0.030} / _{-0.076}	66.50 ±0.10	73.00 ^{+0.00} / _{-0.20}	8.27
MSW-65X79X7	65	79	7	8.00 ^{+0.30} / _{+0.00}	65.00 ^{-0.030} / _{-0.076}	72.00 ±0.10	79.00 ^{+0.00} / _{-0.20}	8.81
MSW-70X80X6	70	80	6	7.00 ^{+0.30} / _{+0.00}	70.00 ^{-0.030} / _{-0.076}	75.00 ±0.10	80.00 ^{+0.00} / _{-0.20}	9.19
MSW-70X83X7	70	83	7	8.00 ^{+0.30} / _{+0.00}	70.00 ^{-0.030} / _{-0.076}	76.50 ±0.10	83.00 ^{+0.00} / _{-0.20}	9.19



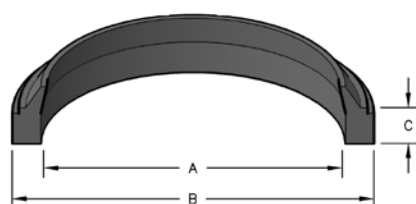
STYLE MSW SNAP-IN WIPERS

Part Number	A Nom. ID	B Nom. OD	C Nom. Ht	D GROOVE WIDTH	E ROD DIAMETER	F THROAT DIAMETER	G HOUSING DIAMETER	List Price
MSW-75X85X6	75	85	6	7.00 ^{+0.30} / _{+0.00}	75.00 ^{-0.030} / _{-0.076}	80.00 ±0.10	85.00 ^{+0.00} / _{-0.20}	10.17
MSW-75X88X7	75	88	7	8.00 ^{+0.30} / _{+0.00}	75.00 ^{-0.030} / _{-0.076}	81.50 ±0.10	88.00 ^{+0.00} / _{-0.20}	10.17
MSW-80X90X6	80	90	6	7.00 ^{+0.30} / _{+0.00}	80.00 ^{-0.030} / _{-0.076}	85.00 ±0.10	90.00 ^{+0.00} / _{-0.20}	10.17
MSW-80X93X7	80	93	7	8.00 ^{+0.30} / _{+0.00}	80.00 ^{-0.030} / _{-0.076}	86.50 ±0.10	93.00 ^{+0.00} / _{-0.20}	10.17
MSW-85X98X7	85	98	7	8.00 ^{+0.30} / _{+0.00}	85.00 ^{-0.036} / _{-0.090}	91.50 ±0.10	98.00 ^{+0.00} / _{-0.20}	15.34
MSW-90X100X6	90	100	6	7.00 ^{+0.30} / _{+0.00}	90.00 ^{-0.036} / _{-0.090}	95.00 ±0.10	100.00 ^{+0.00} / _{-0.20}	15.34
MSW-90X103X7	90	103	7	8.00 ^{+0.30} / _{+0.00}	90.00 ^{-0.036} / _{-0.090}	96.50 ±0.10	103.00 ^{+0.00} / _{-0.20}	15.34
MSW-95X105X6	95	105	6	7.00 ^{+0.30} / _{+0.00}	95.00 ^{-0.036} / _{-0.090}	100.00 ±0.10	105.00 ^{+0.00} / _{-0.20}	21.04
MSW-95X108X7	95	108	7	8.00 ^{+0.30} / _{+0.00}	95.00 ^{-0.036} / _{-0.090}	101.50 ±0.10	108.00 ^{+0.00} / _{-0.20}	21.04
MSW-100X110X6	100	110	6	7.00 ^{+0.30} / _{+0.00}	100.00 ^{-0.036} / _{-0.090}	105.00 ±0.10	110.00 ^{+0.00} / _{-0.20}	21.04
MSW-100X113X7	100	113	7	8.00 ^{+0.30} / _{+0.00}	100.00 ^{-0.036} / _{-0.090}	106.50 ±0.10	113.00 ^{+0.00} / _{-0.20}	21.04
MSW-110X120X6	110	120	6	7.00 ^{+0.30} / _{+0.00}	110.00 ^{-0.036} / _{-0.090}	115.00 ±0.10	120.00 ^{+0.00} / _{-0.20}	21.88
MSW-110X123X7	110	123	7	8.00 ^{+0.30} / _{+0.00}	110.00 ^{-0.036} / _{-0.090}	116.50 ±0.10	123.00 ^{+0.00} / _{-0.20}	22.82
MSW-120X130X6	120	130	6	7.00 ^{+0.30} / _{+0.00}	120.00 ^{-0.036} / _{-0.090}	125.00 ±0.10	130.00 ^{+0.00} / _{-0.20}	22.72
MSW-120X133X7	120	133	7	8.00 ^{+0.30} / _{+0.00}	120.00 ^{-0.036} / _{-0.090}	126.50 ±0.10	133.00 ^{+0.00} / _{-0.20}	22.72
MSW-125X138X7	125	138	7	8.00 ^{+0.30} / _{+0.00}	125.00 ^{-0.043} / _{-0.106}	131.50 ±0.10	138.00 ^{+0.00} / _{-0.20}	23.55
MSW-140X153X7	140	153	7	8.00 ^{+0.30} / _{+0.00}	140.00 ^{-0.043} / _{-0.106}	146.50 ±0.10	153.00 ^{+0.00} / _{-0.20}	26.09

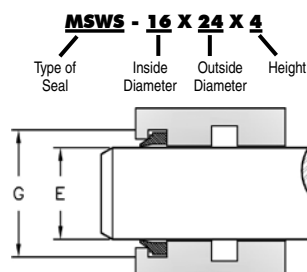
Seal color may vary. Special order sizes are available.

STYLE MSWS / MSWSN SNAP-IN WIPERS

This light duty wiper is molded in polyurethane and features a double-stepped shoulder to fit tightly in the gland throat.



PART NUMBERS



NOTE: MSWSN = Nitrile

SEAL INFORMATION	
MATERIAL	URETHANE
TEMPERATURE RANGE	-22° TO +212° F
SPEED	3 FT/SEC

Part Number	A Nom. ID	B Nom. OD	C Nom. Ht	E ROD DIAMETER	G HOUSING DIAMETER	List Price
MSWS-16X24X4	16	24	4	16.00	24.00	\$2.01
MSWSN-16X24X4	16	24	4	16.00	24.00	2.20
MSWS-20X28X4	20	28	4	20.00	28.00	2.94
MSWS-22X30X4	22	30	4	22.00	30.00	2.18
MSWS-25X33X4	25	33	4	25.00	33.00	2.01
MSWS-28X36X4	28	36	4	28.00	36.00	2.56
MSWS-30X38X4	30	38	4	30.00	38.00	2.69
MSWS-32X40X4	32	40	4	32.00	40.00	2.56
MSWS-35X43X4	35	43	4	35.00	43.00	2.69
MSWS-36X44X4	36	44	4	36.00	44.00	2.56
MSWS-40X48X4	40	48	4	40.00	48.00	3.07
MSWS-42X50X4	42	50	4	42.00	50.00	3.21
MSWS-45X53X4	45	53	4	45.00	53.00	2.83
MSWS-50X58X4	50	58	4	50.00	58.00	2.56
MSWS-55X63X4	55	63	4	55.00	63.00	4.10
MSWS-56X64X4	56	64	4	56.00	64.00	3.82
MSWS-60X68X4	60	68	4	60.00	68.00	3.82
MSWS-63X71X4	63	71	4	63.00	71.00	3.82
MSWS-65X73X4	65	73	4	65.00	73.00	3.96
MSWS-70X78X4	70	78	4	70.00	78.00	3.07
MSWS-80X88X4	80	88	4	80.00	88.00	4.34
MSWSN-82X90X4	82	90	4	82.00	90.00	13.46
MSWSN-85X93X4	85	93	4	85.00	93.00	2.80
MSWS-90X98X4	90	98	4	90.00	98.00	3.56
MSWS-100X108X4	100	108	4	100.00	108.00	5.26
MSWSHN-125X137X5.5	125	137	5.5			11.16
MSWSN-300X315X6.5	300	315	6.5	300.00	315.00	6.15

Seal color may vary. Special order sizes are available.

MADE TO ORDER STYLE MSWS SNAP-IN WIPERS

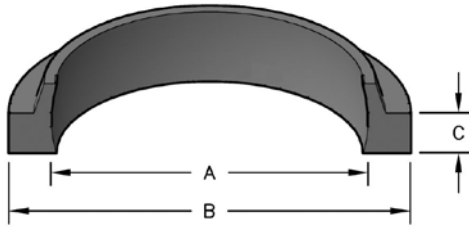
Part Number	List Price
MSWS-10X18X4	\$ 2.67
MSWS-26X34X4	3.67
MSWS-34X42X4	4.40

Part Number	List Price
MSWS-48X56X4	\$ 5.13
MSWS-110X122X5.5	6.37

Part Number	List Price
MSWS-117X129X5.5	\$ 7.39
MSWS-150X162X5.5	10.23

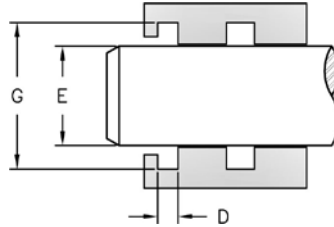
STYLE MSWN SNAP-IN WIPERS

This medium duty wiper is molded in nitrile rubber



PART NUMBERS

MSWN - 18 X 26 X 5
 Type of Seal Inside Diameter Outside Diameter Height



SEAL INFORMATION	
MATERIAL	NITRILE
TEMPERATURE RANGE	-22° TO +212° F
SPEED	3 FT/SEC

Part Number	A Nom. ID	B Nom. OD	C Nom. Ht	D GROOVE WIDTH	E ROD DIAMETER	G HOUSING DIAMETER	List Price
MSWN-18X26X5	18	26	5	5.30 ^{+0.20} / _{+0.00}	18.00 ^{-0.016} / _{-0.059}	26.00 ^{+0.13} / _{+0.00}	\$2.45
MSWN-20X28X4	20	28	4	4.10 ^{+0.20} / _{+0.00}	20.00 ^{-0.020} / _{-0.072}	28.00 ^{+0.13} / _{+0.00}	4.86
MSWN-28X36X4	28	36	4	4.10 ^{+0.20} / _{+0.00}	28.00 ^{-0.020} / _{-0.072}	36.00 ^{+0.16} / _{+0.00}	5.13
MSWN-30X42X6	30	42	6	6.30 ^{+0.20} / _{+0.00}	30.00 ^{-0.020} / _{-0.072}	42.00 ^{+0.16} / _{+0.00}	3.94
MSWN-32X42X5	32	40	5	5.00 ^{+0.20} / _{+0.00}	32.00 ^{-0.025} / _{-0.087}	40.00 ^{+0.16} / _{+0.00}	7.43
MSWN-32X44X6	32	44	6	6.30 ^{+0.20} / _{+0.00}	32.00 ^{-0.025} / _{-0.087}	44.00 ^{+0.16} / _{+0.00}	3.94
MSWN-35X47X6	35	47	6	6.30 ^{+0.20} / _{+0.00}	35.00 ^{-0.025} / _{-0.087}	47.00 ^{+0.16} / _{+0.00}	7.17
MSWN-36X48X6	36	48	6	6.30 ^{+0.20} / _{+0.00}	36.00 ^{-0.025} / _{-0.087}	48.00 ^{+0.16} / _{+0.00}	4.86
MSWN-38X46X5	38	46	5	5.30 ^{+0.20} / _{+0.00}	38.00 ^{-0.025} / _{-0.087}	46.00 ^{+0.16} / _{+0.00}	13.17
MSWN-40X48X3	40	48	3	3.10 ^{+0.20} / _{+0.00}	40.00 ^{-0.025} / _{-0.087}	48.00 ^{+0.16} / _{+0.00}	11.30
MSWN-40X49X3	40	49	3	3.10 ^{+0.20} / _{+0.00}	40.00 ^{-0.025} / _{-0.087}	49.00 ^{+0.16} / _{+0.00}	12.90
MSWN-40X52X6	40	52	6	6.30 ^{+0.20} / _{+0.00}	40.00 ^{-0.025} / _{-0.087}	52.00 ^{+0.19} / _{+0.00}	4.03
MSWN-45X57X4.8	45	57	4.8	5.00 ^{+0.20} / _{+0.00}	45.00 ^{-0.025} / _{-0.087}	57.00 ^{+0.19} / _{+0.00}	14.51
MSWN-45X57X6	45	57	6	6.30 ^{+0.20} / _{+0.00}	45.00 ^{-0.025} / _{-0.087}	57.00 ^{+0.19} / _{+0.00}	4.86
MSWN-50X62X5	50	62	5	5.30 ^{+0.20} / _{+0.00}	50.00 ^{-0.025} / _{-0.087}	62.00 ^{+0.19} / _{+0.00}	10.20
MSWN-50X62X6	50	62	6	6.30 ^{+0.20} / _{+0.00}	50.00 ^{-0.025} / _{-0.087}	62.00 ^{+0.19} / _{+0.00}	4.33
MSWN-55X65X5	55	65	5	5.30 ^{+0.20} / _{+0.00}	55.00 ^{-0.030} / _{-0.104}	65.00 ^{+0.19} / _{+0.00}	4.58
MSWN-55X67X6	55	67	6	6.30 ^{+0.20} / _{+0.00}	55.00 ^{-0.030} / _{-0.104}	67.00 ^{+0.19} / _{+0.00}	8.13
MSWN-56X66X5	56	66	5	5.30 ^{+0.20} / _{+0.00}	56.00 ^{-0.030} / _{-0.104}	66.00 ^{+0.19} / _{+0.00}	3.94
MSWN-60X70X5	60	70	5	5.30 ^{+0.20} / _{+0.00}	60.00 ^{-0.030} / _{-0.104}	70.00 ^{+0.19} / _{+0.00}	5.67
MSWN-63X73X5	63	73	5	5.30 ^{+0.20} / _{+0.00}	63.00 ^{-0.030} / _{-0.104}	73.00 ^{+0.19} / _{+0.00}	4.86

STYLE MSWN SNAP-IN WIPERS



Part Number	A Nom. ID	B Nom. OD	C Nom. Ht	D GROOVE WIDTH	E ROD DIAMETER	G HOUSING DIAMETER	List Price
MSWN-65X75X5	65	75	5	5.30 +0.20 +0.00	65.00 -0.030 -0.104	75.00 +0.19 +0.00	6.22
MSWN-70X80X5	70	80	5	5.30 +0.20 +0.00	70.00 -0.030 -0.104	80.00 +0.19 +0.00	5.55
MSWN-70X82X6	70	82	6	6.30 +0.20 +0.00	70.00 -0.030 -0.104	82.00 +0.22 +0.00	7.44
MSWN-70X82X7	70	82	7	7.10 +0.20 +0.00	70.00 -0.030 -0.104	82.00 +0.22 +0.00	5.55
MSWN-75X87X3.8	75	87	3.8	4.00 +0.20 +0.00	75.00 -0.030 -0.104	87.00 +0.22 +0.00	17.10
MSWN-75X83X5	75	83	5	5.30 +0.20 +0.00	75.00 -0.030 -0.104	83.00 +0.22 +0.00	6.32
MSWN-80X90X6	80	90	6	6.30 +0.20 +0.00	80.00 -0.030 -0.104	90.00 +0.22 +0.00	9.91
MSWN-85X97X7	85	97	7	7.10 +0.20 +0.00	85.00 -0.036 -0.123	97.00 +0.22 +0.00	6.91
MSWN-90X102X7	90	102	7	7.10 +0.20 +0.00	90.00 -0.036 -0.123	102.00 +0.22 +0.00	6.88
MSWN-100X112X7	100	112	7	7.10 +0.20 +0.00	100.00 -0.036 -0.123	112.00 +0.22 +0.00	7.86
MSWN-105X117X7	105	117	7	7.10 +0.20 +0.00	105.00 -0.036 -0.123	117.00 +0.22 +0.00	19.20
MSWN-110X122X7	110	122	7	7.10 +0.20 +0.00	110.00 -0.036 -0.123	122.00 +0.25 +0.00	9.75
MSWN-140X152X7	140	152	7	7.10 +0.20 +0.00	140.00 -0.043 -0.143	152.00 +0.25 +0.00	12.72
MSWN-140X155X10	140	155	10	10.20 +0.20 +0.00	140.00 -0.043 -0.143	155.00 +0.25 +0.00	12.24
MSWN-160X175X10	160	175	10	10.20 +0.20 +0.00	160.00 -0.043 -0.143	175.00 +0.25 +0.00	12.98
MSWN-200X220X10	200	220	10	10.20 +0.20 +0.00	200.00 -0.050 -0.165	220.00 +0.29 +0.00	13.92
MSWN-240X260X10	240	260	10	10.20 +0.20 +0.00	240.00 -0.050 -0.165	260.00 +0.32 +0.00	15.47

Seal color may vary. Special order sizes are available.

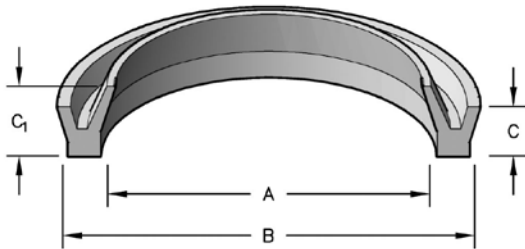
MADE TO ORDER STYLE MSWN SNAP-IN WIPERS

Part Number	List Price	Part Number	List Price	Part Number	List Price
MSWN-18X24.6X3.5	\$ 4.20	MSWN-75X87X7	\$ 6.97	MSWN-150X162.2X7	\$ 11.63
MSWN-24X32.6X6.5	4.38	MSWN-76.2X85.6X5.5	7.36	MSWN-152X160X5	12.02
MSWN-25.4X34.92X5.84	4.56	MSWN-78X92X7	7.75	MSWN-170X185X10	12.41
MSWN-28.58X41.28X9.5	4.74	MSWN-80X90X6.3	8.14	MSWN-185X193X5	12.80
MSWN-30X45X5	4.91	MSWN-80X92.6X5.9	8.40	MSWN-190X198X5	13.19
MSWN-34.92X47.62X3.17	5.09	MSWN-88X100.2X7.1	8.91	MSWN-190X210X10	13.58
MSWN-36X43.6X6.5	5.20	MSWN-88.9X99.01X3	9.30	MSWN-196X210.2X7	13.96
MSWN-38.1X50.8X3	5.45	MSWN-90X98X5	9.69	MSWN-230X250X10	14.35
MSWN-44.45X52.96X5.5	5.63	MSWN-114.3X127X7.87	10.08	MSWN-244.5X258X7	17.64
MSWN-48X56X5	5.81	MSWN-125X133X5	10.47	MSWN-330X354X8	22.57
MSWN-63X71X5	6.20	MSWN-140X152.2X7	10.86		
MSWN-70X82.6X5.9	6.58	MSWN-145X157.2X7	11.25		



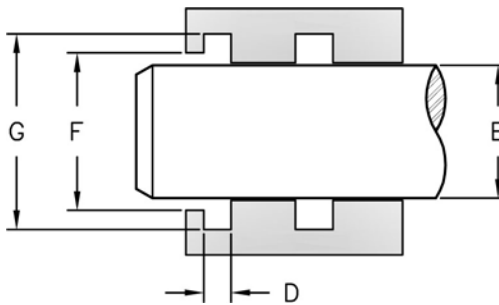
STYLE CSWM SNAP-IN WIPERS

This wiper is a heavy duty scraper molded from a hard nylon material.



PART NUMBERS

CSWM - 25 X 38 X 6
 Type of Seal Inside Diameter Outside Diameter Height

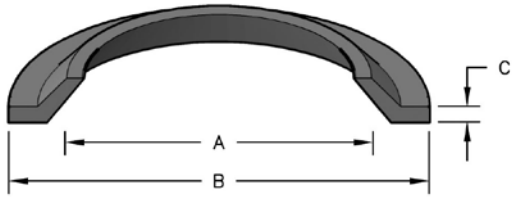


SEAL INFORMATION	
MATERIAL	NYLON
TEMPERATURE RANGE	-40° TO +212° F
SPEED	3 FT/SEC

Part Number	A Nom. ID	B Nom. OD	C Nom. Ht	C ₁ OVERALL HEIGHT	D GROOVE WIDTH	E ROD DIAMETER	F THROAT DIAMETER	G HOUSING DIAMETER	List Price
CSWM-25X38X6	25	38	6	8.50	6.00 ^{+0.25} / _{+0.00}	25.00	36.50 ^{+0.10} / _{+0.00}	38.00 ^{+0.10} / _{+0.00}	\$4.71
CSWM-28X41X6	28	41	6	8.50	6.00 ^{+0.25} / _{+0.00}	28.00	39.50 ^{+0.10} / _{+0.00}	41.00 ^{+0.10} / _{+0.00}	4.71
CSWM-30X43X6	30	43	6	8.50	6.00 ^{+0.25} / _{+0.00}	30.00	41.50 ^{+0.10} / _{+0.00}	43.00 ^{+0.10} / _{+0.00}	5.11
CSWM-32X45X6	32	45	6	8.50	6.00 ^{+0.25} / _{+0.00}	32.00	43.50 ^{+0.10} / _{+0.00}	45.00 ^{+0.10} / _{+0.00}	4.71
CSWM-36X49X6	36	49	6	8.50	6.00 ^{+0.25} / _{+0.00}	36.00	47.50 ^{+0.10} / _{+0.00}	49.00 ^{+0.10} / _{+0.00}	5.23
CSWM-40X53X6	40	53	6	8.50	6.00 ^{+0.25} / _{+0.00}	40.00	51.50 ^{+0.10} / _{+0.00}	53.00 ^{+0.10} / _{+0.00}	5.38
CSWM-45X58X6	45	58	6	8.50	6.00 ^{+0.25} / _{+0.00}	45.00	56.50 ^{+0.10} / _{+0.00}	58.00 ^{+0.10} / _{+0.00}	5.23
CSWM-50X63X6	50	63	6	8.50	6.00 ^{+0.25} / _{+0.00}	50.00	61.50 ^{+0.10} / _{+0.00}	63.00 ^{+0.10} / _{+0.00}	6.16
CSWM-55X68X6	55	68	6	8.50	6.00 ^{+0.25} / _{+0.00}	55.00	66.50 ^{+0.10} / _{+0.00}	68.00 ^{+0.10} / _{+0.00}	9.18
CSWM-56X69X6	56	69	6	8.50	6.00 ^{+0.25} / _{+0.00}	56.00	67.50 ^{+0.10} / _{+0.00}	69.00 ^{+0.10} / _{+0.00}	6.94
CSWM-60X73X6	60	73	6	8.50	6.00 ^{+0.25} / _{+0.00}	60.00	71.50 ^{+0.10} / _{+0.00}	73.00 ^{+0.10} / _{+0.00}	7.07
CSWM-63X76X6	63	76	6	8.50	6.00 ^{+0.25} / _{+0.00}	63.00	74.50 ^{+0.10} / _{+0.00}	76.00 ^{+0.10} / _{+0.00}	8.78
CSWM-70X83X6	70	83	6	8.50	6.00 ^{+0.25} / _{+0.00}	70.00	81.50 ^{+0.10} / _{+0.00}	83.00 ^{+0.10} / _{+0.00}	5.38
CSWM-75X88X6	75	88	6	8.50	6.00 ^{+0.25} / _{+0.00}	75.00	86.50 ^{+0.10} / _{+0.00}	88.00 ^{+0.10} / _{+0.00}	37.06
CSWM-80X93X6	80	93	6	8.50	6.00 ^{+0.25} / _{+0.00}	80.00	91.50 ^{+0.10} / _{+0.00}	93.00 ^{+0.10} / _{+0.00}	9.57
CSWM-90X103X6	90	103	6	8.50	6.00 ^{+0.25} / _{+0.00}	90.00	101.50 ^{+0.10} / _{+0.00}	103.00 ^{+0.10} / _{+0.00}	10.48
CSWM-100X113X6	100	113	6	8.50	6.00 ^{+0.25} / _{+0.00}	100.00	111.50 ^{+0.10} / _{+0.00}	113.00 ^{+0.10} / _{+0.00}	11.41

STYLE MDK SNAP-IN WIPERS

Molded in nitrile, this wiper is for light duty applications.



PART NUMBERS

MDK - 30 X 37.5 X 1.6

Type of Seal Inside Diameter Outside Diameter Height

SEAL INFORMATION	
MATERIAL	NITRILE
TEMPERATURE RANGE	-22° TO +212° F
SPEED	3 FT/SEC

Part Number	A Nom. ID	B Nom. OD	C Nom. Ht	List Price
MDK-25X33.6X1.6U	25	33.6	1.6	\$6.63
MDK-30X37.5X1.6	30	37.5	1.6	9.09
MDK-32X39.5X1.6	32	39.5	1.6	11.63
MDK-33X40.5X1.6	33	40.5	1.6	9.19
MDK-50X60X2.15	50	60	2.15	11.60
MDK-55X65X2.15	55	65	2.15	24.60
MDK-63X73X2.15	63	73	2.15	14.87
MDK-70X80X2.15	70	80	2.15	21.99
MDK-74X87X3.3	74	87	3.3	10.02
MDK-80X90X2.15	80	90	2.15	18.93
MDK-90X100X2.15	90	100	2.15	28.52
MDK-100X110X2.15	100	110	2.15	23.92
MDK-140X150X2.15	140	150	2.15	33.11

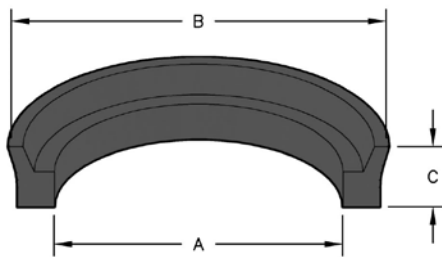
Seal color may vary. Special order sizes are available.

MADE TO ORDER STYLE MDK SNAP-IN WIPERS

Part Number	List Price
MDK-35X42.5X1.6	\$ 7.90

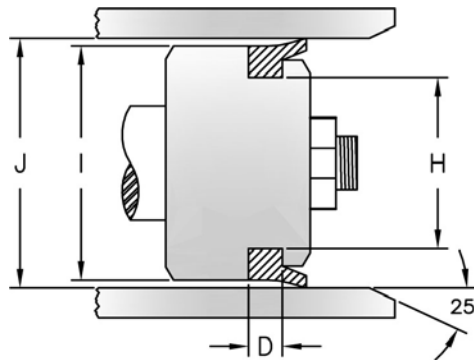
STYLE MDKP SNAP-IN WIPERS

The MDKP external wiper is primarily used in single acting cylinders with an opening to the atmosphere to prevent dust and contaminants from entering the cylinder.



PART NUMBERS

MDKP - 21.4 X 30 X 5.3
 Type of Seal / Inside Diameter / Outside Diameter / Height



SEAL INFORMATION

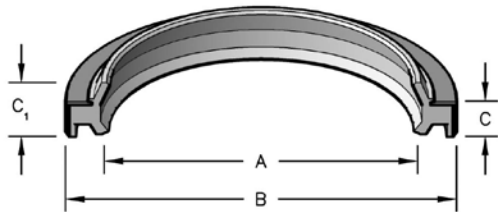
MATERIAL	93A URETHANE
TEMPERATURE RANGE	-22° TO +212° F
SPEED	1.5 FT/SEC

Part Number	A Nom. ID	B Nom. OD	C Nom. Ht	D GROOVE WIDTH	H GROOVE DIAMETER	I PISTON DIAMETER	J BORE DIAMETER	List Price
MDKP-21.4X30X5.3	21.4	30	5.3	5.30 ^{+0.25} / _{+0.00}	21.40 ^{+0.10} / _{+0.00}	27.00	30.00 ^{+0.084} / _{+0.000}	\$2.41
MDKP-31.4X40X5.3	31.4	40	5.3	5.30 ^{+0.25} / _{+0.00}	31.40 ^{+0.10} / _{+0.00}	37.00	40.00 ^{+0.10} / _{+0.00}	2.75
MDKP-41.4X50X5.3	41.4	50	5.3	5.30 ^{+0.25} / _{+0.00}	41.40 ^{+0.10} / _{+0.00}	47.00	50.00 ^{+0.10} / _{+0.00}	3.11
MDKP-51.4X60X5.3	51.4	60	5.3	5.30 ^{+0.25} / _{+0.00}	51.40 ^{+0.10} / _{+0.00}	57.00	60.00 ^{+0.12} / _{+0.00}	3.79
MDKP-54.4X63X5.3	54.4	63	5.3	5.30 ^{+0.25} / _{+0.00}	54.40 ^{+0.10} / _{+0.00}	60.00	63.00 ^{+0.12} / _{+0.00}	4.02
MDKP-61.4X70X5.3	61.4	70	5.3	5.30 ^{+0.25} / _{+0.00}	61.40 ^{+0.10} / _{+0.00}	67.00	70.00 ^{+0.12} / _{+0.00}	4.14
MDKP-71.4X80X5.3	71.4	80	5.3	5.30 ^{+0.25} / _{+0.00}	71.40 ^{+0.10} / _{+0.00}	77.00	80.00 ^{+0.12} / _{+0.00}	4.25
MDKP-81.4X90X5.3	81.4	90	5.3	5.30 ^{+0.25} / _{+0.00}	81.40 ^{+0.10} / _{+0.00}	87.00	90.00 ^{+0.14} / _{+0.00}	4.60
MDKP-86.4X95X5.3	86.4	95	5.3	5.30 ^{+0.25} / _{+0.00}	86.40 ^{+0.10} / _{+0.00}	92.00	95.00 ^{+0.14} / _{+0.00}	5.05
MDKP-91.4X100X5.3	91.4	100	5.3	5.30 ^{+0.25} / _{+0.00}	91.40 ^{+0.10} / _{+0.00}	97.00	100.00 ^{+0.14} / _{+0.00}	5.17
MDKP-88X100X7.5	88	100	7.5	7.50 ^{+0.25} / _{+0.00}	88.00 ^{+0.10} / _{+0.00}	94.00	100.00 ^{+0.14} / _{+0.00}	5.17
MDKP-101.4X110X5.3	101.4	110	5.3	5.30 ^{+0.25} / _{+0.00}	101.40 ^{+0.10} / _{+0.00}	107.00	110.00 ^{+0.14} / _{+0.00}	5.52
MDKP-107X115X5	107	115	5	5.00 ^{+0.25} / _{+0.00}	107.00 ^{+0.10} / _{+0.00}	111.00	115.00 ^{+0.14} / _{+0.00}	5.76
MDKP-100X115X10	100	115	10	10.00 ^{+0.25} / _{+0.00}	100.00 ^{+0.10} / _{+0.00}	107.50	115.00 ^{+0.14} / _{+0.00}	5.76
MDKP-111.4X120X5.3	111.4	120	5.3	5.30 ^{+0.25} / _{+0.00}	111.40 ^{+0.10} / _{+0.00}	117.00	120.00 ^{+0.14} / _{+0.00}	5.98
MDKP-121.4X130X5.3	121.4	130	5.3	5.30 ^{+0.25} / _{+0.00}	121.40 ^{+0.10} / _{+0.00}	127.00	130.00 ^{+0.16} / _{+0.00}	7.81
MDKP-138X150X5	138	150	5.3	5.30 ^{+0.25} / _{+0.00}	138.00 ^{+0.10} / _{+0.00}	147.00	150.00 ^{+0.16} / _{+0.00}	10.79

STYLE MCKBI METAL CLAD WIPERS



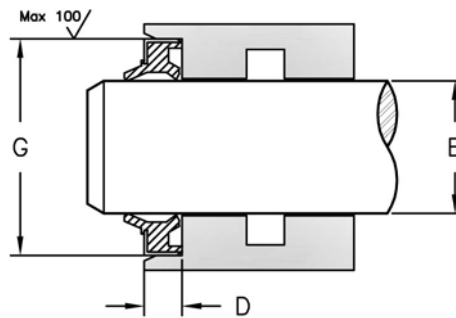
Utilizing a double lip of urethane bonded to a carbon steel case, this wiper prevents contaminant ingress at the wiping lip and around the outer case.



PART NUMBERS

MCKBI - 20 X 32 X 6

Type of Seal Rod Diameter Groove Diameter Height



SEAL INFORMATION

MATERIAL	URETHANE
TEMPERATURE RANGE	-30° TO +200° F
SPEED	3 FT/SEC

Part Number	A Nom. ID	B Nom. OD	C Nom. Ht	C ₁ OVERALL HEIGHT	D GROOVE WIDTH	E ROD DIAMETER	G HOUSING DIAMETER	List Price
MCKBI-20X32X6	20	32	6	9.00	6.00 ^{+0.50} / _{-0.30}	20.00 ^{-0.020} / _{-0.053}	32.00 ^{+0.039} / _{+0.000}	\$ 5.36
MCKBI-25X37X6	25	37	6	9.00	6.00 ^{+0.50} / _{-0.30}	25.00 ^{-0.020} / _{-0.053}	37.00 ^{+0.039} / _{+0.000}	7.57
MCKBI-30X42X6	30	42	6	9.00	6.00 ^{+0.50} / _{-0.30}	30.00 ^{-0.020} / _{-0.053}	42.00 ^{+0.039} / _{+0.000}	16.95
MCKBI-35X47X7	35	47	7	10.00	7.00 ^{+0.50} / _{-0.30}	35.00 ^{-0.025} / _{-0.064}	47.00 ^{+0.039} / _{+0.000}	17.88
MCKBI-40X50X7	40	50	7	10.00	7.00 ^{+0.50} / _{-0.30}	40.00 ^{-0.025} / _{-0.064}	50.00 ^{+0.039} / _{+0.000}	20.09
MCKBI-40X52X7	40	52	7	10.00	7.00 ^{+0.50} / _{-0.30}	40.00 ^{-0.025} / _{-0.064}	52.00 ^{+0.046} / _{+0.000}	21.86
MCKBI-45X57X7	45	57	7	10.00	7.00 ^{+0.50} / _{-0.30}	45.00 ^{-0.025} / _{-0.064}	57.00 ^{+0.046} / _{+0.000}	23.72
MCKBI-50X60X7	50	60	7	10.00	7.00 ^{+0.50} / _{-0.30}	50.00 ^{-0.025} / _{-0.064}	60.00 ^{+0.046} / _{+0.000}	21.77
MCKBI-50X62X7	50	62	7	10.00	7.00 ^{+0.50} / _{-0.30}	50.00 ^{-0.025} / _{-0.064}	62.00 ^{+0.046} / _{+0.000}	24.03
MCKBI-55X69X8	55	69	8	11.00	8.00 ^{+0.60} / _{-0.40}	55.00 ^{-0.030} / _{-0.076}	69.00 ^{+0.046} / _{+0.000}	28.61
MCKBI-60X74X8	60	74	8	11.00	8.00 ^{+0.60} / _{-0.40}	60.00 ^{-0.030} / _{-0.076}	74.00 ^{+0.046} / _{+0.000}	31.01
MCKBI-65X79X8	65	79	8	11.00	8.00 ^{+0.60} / _{-0.40}	65.00 ^{-0.030} / _{-0.076}	79.00 ^{+0.046} / _{+0.000}	32.87
MCKBI-70X82X7	70	82	7	10.00	7.00 ^{+0.50} / _{-0.30}	70.00 ^{-0.030} / _{-0.076}	82.00 ^{+0.054} / _{+0.000}	34.08
MCKBI-70X84X8	70	84	8	11.00	8.00 ^{+0.60} / _{-0.40}	70.00 ^{-0.030} / _{-0.076}	84.00 ^{+0.054} / _{+0.000}	35.28
MCKBI-75X87X7	75	87	7	10.00	7.00 ^{+0.50} / _{-0.30}	75.00 ^{-0.030} / _{-0.076}	87.00 ^{+0.054} / _{+0.000}	36.09
MCKBI-75X89X8	75	89	8	11.00	8.00 ^{+0.60} / _{-0.40}	75.00 ^{-0.030} / _{-0.076}	89.00 ^{+0.054} / _{+0.000}	37.92
MCKBI-80X92X7	80	92	7	10.00	7.00 ^{+0.50} / _{-0.30}	80.00 ^{-0.030} / _{-0.076}	92.00 ^{+0.054} / _{+0.000}	43.15



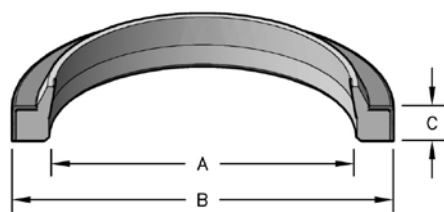
STYLE MCKBI METAL CLAD WIPERS

Part Number	A Nom. ID	B Nom. OD	C Nom. Ht	C ₁ OVERALL HEIGHT	D GROOVE WIDTH	E ROD DIAMETER	G HOUSING DIAMETER	List Price
MCKBI-80X94X8	80	94	8	11.00	8.00 +0.60 -0.40	80.00 -0.030 -0.076	94.00 +0.054 +0.000	44.73
MCKBI-85X97X7	85	97	7	10.00	7.00 +0.50 -0.30	85.00 -0.036 -0.090	97.00 +0.054 +0.000	42.01
MCKBI-85X99X8	85	99	8	11.00	8.00 +0.60 -0.40	85.00 -0.036 -0.090	99.00 +0.054 +0.000	50.77
MCKBI-90X104X8	90	104	8	11.00	8.00 +0.60 -0.40	90.00 -0.036 -0.090	104.00 +0.054 +0.000	54.89
MCKBI-95X109X8	95	109	8	11.00	8.00 +0.60 -0.40	95.00 -0.036 -0.090	109.00 +0.054 +0.000	28.52
MCKBI-100X114X8	100	114	8	11.00	8.00 +0.60 -0.40	100.00 -0.036 -0.090	114.00 +0.054 +0.000	57.63
MCKBI-105X121X9	105	121	9	12.00	9.00 +0.60 -0.40	105.00 -0.036 -0.090	121.00 +0.063 +0.000	55.68
MCKBI-110X126X9	110	126	9	12.00	9.00 +0.60 -0.40	110.00 -0.036 -0.090	126.00 +0.063 +0.000	59.03
MCKBI-115X127X9	115	127	9	13.00	9.00 +0.60 -0.40	115.00 -0.036 -0.090	127.00 +0.063 +0.000	60.70
MCKBI-115X131X9	115	131	9	12.00	9.00 +0.60 -0.40	115.00 -0.036 -0.090	131.00 +0.063 +0.000	25.70
MCKBI-120X136X9	120	136	9	12.00	9.00 +0.60 -0.40	120.00 -0.036 -0.090	136.00 +0.063 +0.000	64.60
MCKBI-130X146X9	130	146	9	12.00	9.00 +0.60 -0.40	130.00 -0.043 -0.106	146.00 +0.063 +0.000	70.69
MCKBI-135X155X10	135	155	10	14.00	10.00 +0.60 -0.40	135.00 -0.043 -0.106	155.00 +0.063 +0.000	54.21
MCKBI-140X160X10	140	160	10	14.00	10.00 +0.60 -0.40	140.00 -0.043 -0.106	160.00 +0.063 +0.000	72.43
MCKBI-145X165X10	145	165	10	14.00	10.00 +0.60 -0.40	145.00 -0.043 -0.106	165.00 +0.063 +0.000	73.66
MCKBI-150X170X10	150	170	10	14.00	10.00 +0.60 -0.40	150.00 -0.043 -0.106	170.00 +0.063 +0.000	75.95
MCKBI-155X175X10	155	175	10	14.00	10.00 +0.60 -0.40	155.00 -0.043 -0.106	175.00 +0.063 +0.000	76.78
MCKBI-160X180X10	160	180	10	14.00	10.00 +0.60 -0.40	160.00 -0.043 -0.106	180.00 +0.063 +0.000	93.66
MCKBI-165X185X10	165	185	10	14.00	10.00 +0.60 -0.40	165.00 -0.043 -0.106	185.00 +0.072 +0.000	60.44
MCKBI-170X190X10	170	190	10	14.00	10.00 +0.60 -0.40	170.00 -0.043 -0.106	190.00 +0.072 +0.000	104.45
MCKBI-190X205X9	190	205	9	12.00	9.00 +0.60 -0.40	190.00 -0.050 -0.122	205.00 +0.072 +0.000	110.87
MCKBI-200X216X8	200	216	8	11.00	8.00 +0.60 -0.40	200.00 -0.050 -0.122	216.00 +0.072 +0.000	123.72

STYLE MCW METAL CLAD WIPERS

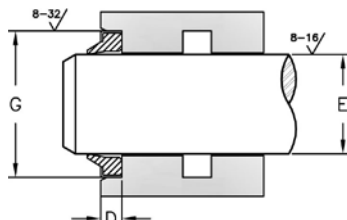


This wiper is a single lip design molded from high grade urethane and bonded to a carbon steel case.



PART NUMBERS

MCW - 25 X 37 X 6
 Type of Seal A - Inside Diameter B - Outside Diameter C - Ht



SEAL INFORMATION	
MATERIAL	URETHANE
TEMPERATURE RANGE	-30° TO +200° F
SPEED	3 FT/SEC

Part Number	A Nom. ID	B Nom. OD	C Nom. Ht	D GROOVE WIDTH	E ROD DIAMETER	G HOUSING DIAMETER	List Price
MCW-25X37X6	25	37	6	6.00 +0.50 -0.30	25.00 -0.020 -0.053	37.00 +0.039 +0.000	\$ 16.00
MCW-28X38X5	28	38	5	5.00 +0.50 -0.30	28.00 -0.020 -0.053	38.00 +0.039 +0.000	7.81
MCW-30X42X6	30	42	6	6.00 +0.50 -0.30	30.00 -0.020 -0.053	42.00 +0.039 +0.000	16.00
MCW-30X45X7	30	45	7	7.00 +0.50 -0.30	30.00 -0.020 -0.053	45.00 +0.039 +0.000	19.22
MCW-32X44X7	32	44	7	7.00 +0.50 -0.30	32.00 -0.025 -0.064	44.00 +0.039 +0.000	20.79
MCW-32X45X7	32	45	7	7.00 +0.50 -0.30	32.00 -0.025 -0.064	45.00 +0.039 +0.000	19.51
MCW-32X52X8	32	52	8	8.00 +0.60 -0.40	32.00 -0.025 -0.064	52.00 +0.046 +0.000	27.07
MCW-35X47X7	35	47	7	7.00 +0.50 -0.30	35.00 -0.025 -0.064	47.00 +0.039 +0.000	16.88
MCW-38X50X7	38	50	7	7.00 +0.50 -0.30	38.00 -0.025 -0.064	50.00 +0.039 +0.000	28.39
MCW-40X52X7	40	52	7	7.00 +0.50 -0.30	40.00 -0.025 -0.064	52.00 +0.046 +0.000	20.63
MCW-45X57X7	45	57	7	7.00 +0.50 -0.30	45.00 -0.025 -0.064	57.00 +0.046 +0.000	22.50
MCW-50X62X7	50	62	7	7.00 +0.50 -0.30	50.00 -0.025 -0.064	62.00 +0.046 +0.000	23.63
MCW-55X69X8	55	69	8	8.00 +0.60 -0.40	55.00 -0.030 -0.076	69.00 +0.046 +0.000	27.00
MCW-56X70X8	56	70	8	8.00 +0.60 -0.40	56.00 -0.030 -0.076	70.00 +0.046 +0.000	27.07
MCW-60X74X8	60	74	8	8.00 +0.60 -0.40	60.00 -0.030 -0.076	74.00 +0.046 +0.000	29.26
MCW-63X77X8	63	77	8	8.00 +0.60 -0.40	63.00 -0.030 -0.076	77.00 +0.046 +0.000	11.30
MCW-65X79X8	65	79	8	8.00 +0.60 -0.40	65.00 -0.030 -0.076	79.00 +0.046 +0.000	31.03
MCW-70X84X8	70	84	8	8.00 +0.60 -0.40	70.00 -0.030 -0.076	84.00 +0.054 +0.000	33.30
MCW-75X89X8	75	89	8	8.00 +0.60 -0.40	75.00 -0.030 -0.076	89.00 +0.054 +0.000	35.80
MCW-80X94X8	80	94	8	8.00 +0.60 -0.40	80.00 -0.030 -0.076	94.00 +0.054 +0.000	42.22
MCW-85X99X8	85	99	8	8.00 +0.60 -0.40	85.00 -0.036 -0.090	99.00 +0.054 +0.000	47.92
MCW-90X104X8	90	104	8	8.00 +0.60 -0.40	90.00 -0.036 -0.090	104.00 +0.054 +0.000	51.80
MCW-95X109X8	95	109	8	8.00 +0.60 -0.40	95.00 -0.036 -0.090	109.00 +0.054 +0.000	52.98

STYLE MCW METAL CLAD WIPERS

Part Number	A Nom. ID	B Nom. OD	C Nom. Ht	D GROOVE WIDTH	E ROD DIAMETER	G HOUSING DIAMETER	List Price
MCW-100X114X8	100	114	8	8.00 ^{+0.60} -0.40	100.00 ^{-0.036} -0.090	114.00 ^{+0.054} +0.000	54.39
MCW-105X119X9	105	119	9	9.00 ^{+0.60} -0.40	105.00 ^{-0.036} -0.090	119.00 ^{+0.054} +0.000	55.35
MCW-105X121X9	105	121	9	9.00 ^{+0.60} -0.40	105.00 ^{-0.036} -0.090	121.00 ^{+0.063} +0.000	52.56
MCW-110X126X9	110	126	9	9.00 ^{+0.60} -0.40	110.00 ^{-0.036} -0.090	126.00 ^{+0.063} +0.000	55.72
MCW-115X131X9	115	131	9	9.00 ^{+0.60} -0.40	115.00 ^{-0.036} -0.090	131.00 ^{+0.063} +0.000	49.28
MCW-120X130X7-860	120	130	7	7.00 ^{+0.50} +0.00	120.00 ^{-0.036} -0.123	130.00 ^{+0.063} +0.000	33.55
MCW-120X136X9	120	136	9	9.00 ^{+0.60} -0.40	120.00 ^{-0.036} -0.090	136.00 ^{+0.063} +0.000	60.97
MCW-130X146X9	130	146	9	9.00 ^{+0.60} -0.40	130.00 ^{-0.043} -0.106	146.00 ^{+0.063} +0.000	66.72
MCW-140X160X10	140	160	10	10.00 ^{+0.60} -0.40	140.00 ^{-0.043} -0.106	160.00 ^{+0.063} +0.000	68.36
MCW-150X170X10	150	170	10	10.00 ^{+0.60} -0.40	150.00 ^{-0.043} -0.106	170.00 ^{+0.063} +0.000	71.68
MCW-160X180X10	160	180	10	10.00 ^{+0.60} -0.40	160.00 ^{-0.043} -0.106	180.00 ^{+0.063} +0.000	88.39
MCW-180X205X12	180	205	12	12.00 ^{+0.70} -0.50	180.00 ^{-0.043} -0.106	205.00 ^{+0.072} +0.000	80.02

Seal color may vary. Special order sizes are available.

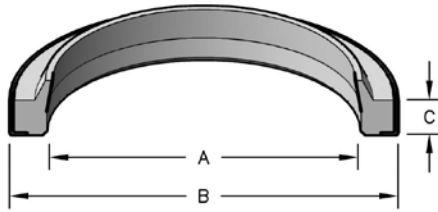
SPECIAL ORDER STYLE MCW PRESS-IN WIPERS

Part Number	List Price	Part Number	List Price
MCW70-22	\$ 14.95	MCW70-63	\$ 24.84
MCW70-36	17.77	MCW70-90A	40.68

STYLE MCWE METAL CLAD WIPERS



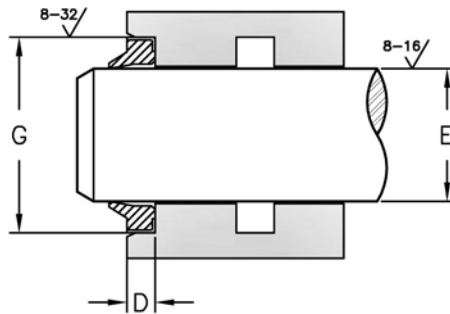
This wiper is molded from high grade urethane and bonded to a carbon steel case in a single lip design.



PART NUMBERS

MCWE - 12 X 20 X 4
 Type of Seal A - Inside Diameter B - Outside Diameter C - Ht

SEAL INFORMATION	
MATERIAL	URETHANE
TEMPERATURE RANGE	-40° TO +200° F
SPEED	3 FT/SEC



Part Number	A Nom. ID	B Nom. OD	C Nom. Ht	D GROOVE WIDTH	E ROD DIAMETER	G HOUSING DIAMETER	List Price
MCWE-12X20X4	12	20	4	4.50 +0.50 +0.00	12.00 -0.016 -0.034	20.00 +0.033 +0.000	\$ 13.04
MCWE-20X28X3.5	20	28	3.5	4.00 +0.50 +0.00	20.00 -0.020 -0.041	28.00 +0.033 +0.000	12.50
MCWE-20X30X5	20	30	5	5.50 +0.50 +0.00	20.00 -0.020 -0.041	30.00 +0.033 +0.000	14.29
MCWE-20X30X7	20	30	7	7.50 +0.50 +0.00	20.00 -0.020 -0.041	30.00 +0.033 +0.000	16.63
MCWE-25X35X7	25	35	7	7.50 +0.50 +0.00	25.00 -0.020 -0.041	35.00 +0.039 +0.000	19.55
MCWE-28X38X7	28	38	7	7.50 +0.50 +0.00	28.00 -0.020 -0.041	38.00 +0.039 +0.000	19.64
MCWE-30X40X5	30	40	5	5.50 +0.50 +0.00	30.00 -0.020 -0.041	40.00 +0.039 +0.000	21.38
MCWE-30X40X7	30	40	7	7.50 +0.50 +0.00	30.00 -0.020 -0.041	40.00 +0.039 +0.000	21.38
MCWE-32X42X7	32	42	7	7.50 +0.50 +0.00	32.00 -0.025 -0.050	42.00 +0.039 +0.000	21.74
MCWE-32X45X7	32	45	7	7.50 +0.50 +0.00	32.00 -0.025 -0.050	45.00 +0.039 +0.000	21.59
MCWE-35X45X7	35	45	7	7.50 +0.50 +0.00	35.00 -0.025 -0.050	45.00 +0.039 +0.000	21.92
MCWE-36X45X7	36	45	7	7.50 +0.50 +0.00	36.00 -0.025 -0.050	45.00 +0.039 +0.000	24.28
MCWE-36X46X7	36	46	7	7.50 +0.50 +0.00	36.00 -0.025 -0.050	46.00 +0.039 +0.000	22.13
MCWE-40X50X7	40	50	7	7.50 +0.50 +0.00	40.00 -0.025 -0.050	50.00 +0.039 +0.000	22.35
MCWE-42X52X7	42	52	7	7.50 +0.50 +0.00	42.00 -0.025 -0.050	52.00 +0.046 +0.000	23.23
MCWE-45X55X7	45	55	7	7.50 +0.50 +0.00	45.00 -0.025 -0.050	55.00 +0.046 +0.000	22.89
MCWE-50X60X7	50	60	7	7.50 +0.50 +0.00	50.00 -0.025 -0.050	60.00 +0.046 +0.000	23.77

STYLE MCWE METAL CLAD WIPERS

Part Number	A Nom. ID	B Nom. OD	C Nom. Ht	D GROOVE WIDTH	E ROD DIAMETER	G HOUSING DIAMETER	List Price
MCWE-55X65X7	55	65	7	7.50 +0.50 +0.00	55.00 -0.03 -0.06	65.00 +0.046 +0.000	24.65
MCWE-56X66X7	56	66	7	7.50 +0.50 +0.00	56.00 -0.03 -0.06	66.00 +0.046 +0.000	25.03
MCWE-60X70X7	60	70	7	7.50 +0.50 +0.00	60.00 -0.03 -0.06	70.00 +0.046 +0.000	25.41
MCWE-63X75X7	63	75	7	7.50 +0.50 +0.00	63.00 -0.03 -0.06	75.00 +0.046 +0.000	25.78
MCWE-65X75X7	65	75	7	7.50 +0.50 +0.00	65.00 -0.03 -0.06	75.00 +0.046 +0.000	25.82
MCWE-70X80X7	70	80	7	7.50 +0.50 +0.00	70.00 -0.03 -0.06	80.00 +0.046 +0.000	26.39
MCWE-80X90X7	80	90	7	7.50 +0.50 +0.00	80.00 -0.03 -0.06	90.00 +0.054 +0.000	27.16
MCWE-85X95X7	85	95	7	7.50 +0.50 +0.00	85.00 -0.036 -0.071	95.00 +0.054 +0.000	28.03
MCWE-90X100X7	90	100	7	7.50 +0.50 +0.00	90.00 -0.036 -0.071	100.00 +0.054 +0.000	29.33
MCWE-100X110X7	100	110	7	7.50 +0.50 +0.00	100.00 -0.036 -0.071	110.00 +0.054 +0.000	31.60
MCWE-105X115X7	105	115	7	7.50 +0.50 +0.00	105.00 -0.036 -0.071	115.00 +0.054 +0.000	44.23
MCWE-110X120X7	110	120	7	7.50 +0.50 +0.00	110.00 -0.036 -0.071	120.00 +0.054 +0.000	49.79
MCWE-115X125X7	115	125	7	7.50 +0.50 +0.00	115.00 -0.036 -0.071	125.00 +0.063 +0.000	55.50
MCWE-120X130X7	120	130	7	7.50 +0.50 +0.00	120.00 -0.036 -0.071	130.00 +0.063 +0.000	60.94
MCWE-130X146X9	130	146	9	9.50 +0.50 +0.00	130.00 -0.043 -0.083	146.00 +0.063 +0.000	37.80

SPECIAL ORDER STYLE MCWE METAL CLAD WIPERS

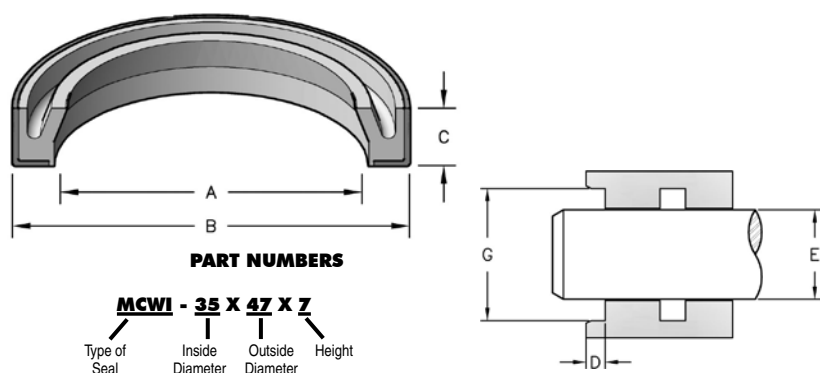
Part Number	List Price
MCWE-140X155X9	\$ 28.06

Part Number	List Price
MCWE-95X105X7	\$ 32.80

STYLE MCWI METAL CLAD WIPERS



This wiper is a single lip design molded from high grade urethane and bonded to a carbon steel case.



SEAL INFORMATION	
MATERIAL	URETHANE
TEMPERATURE RANGE	-30° TO +200° F
SPEED	3 FT/SEC

Part Number	A Nom. ID	B Nom. OD	C Nom. Ht	D GROOVE WIDTH	E ROD DIAMETER	G HOUSING DIAMETER	List Price
MCWI-35X47X7	35	47	7	7.00 ^{+0.50} _{-0.30}	35.00 ^{-0.025} _{-0.064}	47.00 ^{+0.039} _{+0.000}	\$5.00
MCWI-35X50X9	35	50	9	9.00 ^{+0.60} _{-0.40}	35.00 ^{-0.025} _{-0.064}	50.00 ^{+0.039} _{+0.000}	24.24
MCWI-40X52X6	40	52	6	6.00 ^{+0.50} _{-0.30}	40.00 ^{-0.025} _{-0.064}	52.00 ^{+0.046} _{+0.000}	12.57
MCWI-40X52X7	40	52	7	7.00 ^{+0.50} _{-0.30}	40.00 ^{-0.025} _{-0.064}	52.00 ^{+0.046} _{+0.000}	13.27
MCWI-40X55X9	40	55	9	9.00 ^{+0.60} _{-0.40}	40.00 ^{-0.025} _{-0.064}	55.00 ^{+0.046} _{+0.000}	21.35
MCWI-45X57X7	45	57	7	7.00 ^{+0.50} _{-0.30}	45.00 ^{-0.025} _{-0.064}	57.00 ^{+0.046} _{+0.000}	9.39
MCWI-45X60X7.5	45	60	7.5	7.50 ^{+0.60} _{-0.40}	45.00 ^{-0.025} _{-0.064}	60.00 ^{+0.046} _{+0.000}	28.04
MCWI-45X60X9	45	60	9	9.00 ^{+0.60} _{-0.40}	45.00 ^{-0.025} _{-0.064}	60.00 ^{+0.046} _{+0.000}	35.68
MCWI-50X65X7.5	50	65	7.5	7.50 ^{+0.50} _{-0.30}	50.00 ^{-0.025} _{-0.064}	65.00 ^{+0.046} _{+0.000}	15.12
MCWI-50X64X8	50	64	8	8.00 ^{+0.60} _{-0.40}	50.00 ^{-0.025} _{-0.064}	64.00 ^{+0.046} _{+0.000}	36.56
MCWI-50X65X9	50	65	9	9.00 ^{+0.60} _{-0.40}	50.00 ^{-0.025} _{-0.064}	65.00 ^{+0.046} _{+0.000}	19.34
MCWI-55X69X8	55	69	8	8.00 ^{+0.60} _{-0.40}	55.00 ^{-0.030} _{-0.076}	69.00 ^{+0.046} _{+0.000}	11.06
MCWI-56X70X7.5	56	70	7.5	7.50 ^{+0.50} _{-0.30}	56.00 ^{-0.030} _{-0.076}	70.00 ^{+0.046} _{+0.000}	16.87
MCWI-56X71X9	56	71	9	9.00 ^{+0.60} _{-0.40}	56.00 ^{-0.030} _{-0.076}	71.00 ^{+0.046} _{+0.000}	20.14
MCWI-60X73X6	60	73	6	6.00 ^{+0.50} _{-0.30}	60.00 ^{-0.030} _{-0.076}	73.00 ^{+0.046} _{+0.000}	23.10
MCWI-60X75X6	60	75	6	6.00 ^{+0.50} _{-0.30}	60.00 ^{-0.030} _{-0.076}	75.00 ^{+0.046} _{+0.000}	35.40
MCWI-60X70X7	60	70	7	7.00 ^{+0.50} _{-0.30}	60.00 ^{-0.030} _{-0.076}	70.00 ^{+0.046} _{+0.000}	23.07
MCWI-60X75X7.5	60	75	7.5	7.50 ^{+0.50} _{-0.30}	60.00 ^{-0.030} _{-0.076}	75.00 ^{+0.046} _{+0.000}	13.88
MCWI-60X74X8	60	74	8	8.00 ^{+0.60} _{-0.40}	60.00 ^{-0.030} _{-0.076}	74.00 ^{+0.046} _{+0.000}	13.89
MCWI-63X78X9	63	78	9	9.00 ^{+0.60} _{-0.40}	63.00 ^{-0.030} _{-0.076}	78.00 ^{+0.046} _{+0.000}	23.40
MCWI-65X79X8	65	79	8	8.00 ^{+0.60} _{-0.40}	65.00 ^{-0.030} _{-0.076}	79.00 ^{+0.046} _{+0.000}	12.74
MCWI-70X80X7	70	80	7	7.00 ^{+0.50} _{-0.30}	70.00 ^{-0.030} _{-0.076}	80.00 ^{+0.046} _{+0.000}	27.29
MCWI-70X85X7	70	85	7	7.00 ^{+0.50} _{-0.30}	70.00 ^{-0.030} _{-0.076}	85.00 ^{+0.054} _{+0.000}	26.48

STYLE MCWI METAL CLAD WIPERS

Part Number	A Nom. ID	B Nom. OD	C Nom. Ht	D GROOVE WIDTH	E ROD DIAMETER	G HOUSING DIAMETER	List Price
MCWI-70X85X7.5	70	85	7.5	7.50 +0.50 -0.30	70.00 -0.030 -0.076	85.00 +0.054 +0.000	23.02
MCWI-70X84X8	70	84	8	8.00 +0.60 -0.40	70.00 -0.030 -0.076	84.00 +0.054 +0.000	13.36
MCWI-70X85X8	70	85	8	8.00 +0.60 -0.40	70.00 -0.030 -0.076	85.00 +0.054 +0.000	30.00
MCWI-75X89X8	75	89	8	8.00 +0.60 -0.40	75.00 -0.030 -0.076	89.00 +0.054 +0.000	14.17
MCWI-75X90X8	75	90	8	8.00 +0.60 +0.40	75.00 +0.000 -0.074	90.00 +0.054 +0.000	28.96
MCWI-75X95X10	75	95	10	10.00 +0.60 -0.40	75.00 -0.030 -0.076	95.00 +0.054 +0.000	26.87
MCWI-80X100X7	80	100	7	7.00 +0.50 -0.30	80.00 -0.030 -0.076	100.00 +0.054 +0.000	62.71
MCWI-80X90X7	80	90	7	7.00 +0.50 -0.30	80.00 -0.030 -0.076	90.00 +0.054 +0.000	31.24
MCWI-80X94X8	80	94	8	8.00 +0.60 -0.40	80.00 -0.030 -0.076	94.00 +0.054 +0.000	14.53
MCWI-80X95X8	80	95	8	8.00 +0.60 -0.40	80.00 -0.030 -0.076	95.00 +0.054 +0.000	50.03
MCWI-85X100X8	85	100	8	8.00 +0.60 +0.40	85.00 +0.000 -0.087	100.00 +0.054 +0.000	29.30
MCWI-85X99X8	85	99	8	8.00 +0.60 -0.40	85.00 -0.036 -0.090	99.00 +0.054 +0.000	14.53
MCWI-90X105X6	90	105	6	6.00 +0.50 -0.30	90.00 -0.036 -0.090	105.00 +0.054 +0.000	50.25
MCWI-90X105X7	90	105	7	7.00 +0.50 -0.30	90.00 -0.036 -0.090	105.00 +0.054 +0.000	61.89
MCWI-90X104X8	90	104	8	8.00 +0.60 -0.40	90.00 -0.036 -0.090	104.00 +0.054 +0.000	14.53
MCWI-90X105X8	90	105	8	8.00 +0.60 -0.40	90.00 -0.036 -0.090	105.00 +0.054 +0.000	63.89
MCWI-90X106X8	90	106	8	8.00 +0.60 -0.40	90.00 -0.036 -0.090	106.00 +0.054 +0.000	34.95
MCWI-95X109X8	95	109	8	8.00 +0.60 -0.40	95.00 -0.036 -0.090	109.00 +0.054 +0.000	35.07
MCWI-95X110X8	95	110	8	8.00 +0.60 -0.40	95.00 -0.036 -0.090	110.00 +0.054 +0.000	16.76
MCWI-100X115X7	100	115	7	7.00 +0.50 -0.30	100.00 -0.036 -0.090	115.00 +0.054 +0.000	35.86
MCWI-100X114X8	100	114	8	8.00 +0.60 -0.40	100.00 -0.036 -0.090	114.00 +0.054 +0.000	18.60
MCWI-100X116X8	100	116	8	8.00 +0.60 -0.40	100.00 -0.036 -0.090	116.00 +0.054 +0.000	43.27
MCWI-105X121X9	105	121	9	9.00 +0.60 -0.40	105.00 -0.036 -0.090	121.00 +0.063 +0.000	20.90
MCWI-110X125X8	110	125	8	8.00 +0.60 -0.40	110.00 -0.036 -0.090	125.00 +0.063 +0.000	55.55
MCWI-110X126X8	110	126	8	8.00 +0.60 -0.40	110.00 -0.036 -0.090	126.00 +0.063 +0.000	46.98
MCWI-110X130X8	110	130	8	8.00 +0.60 -0.40	110.00 -0.036 -0.090	130.00 +0.063 +0.000	55.95
MCWI-110X126X9	110	126	9	9.00 +0.60 -0.40	110.00 -0.036 -0.090	126.00 +0.063 +0.000	22.58
MCWI-110X130X10	110	130	10	10.00 +0.60 -0.40	110.00 -0.036 -0.090	130.00 +0.063 +0.000	56.72
MCWI-120X135X8	120	135	8	8.00 +0.60 -0.40	120.00 -0.036 -0.090	135.00 +0.063 +0.000	70.96
MCWI-120X136X9	120	136	9	9.00 +0.60 -0.40	120.00 -0.036 -0.090	136.00 +0.063 +0.000	32.14

STYLE MCWI METAL CLAD WIPERS



Part Number	A Nom. ID	B Nom. OD	C Nom. Ht	D GROOVE WIDTH	E ROD DIAMETER	G HOUSING DIAMETER	List Price
MCWI-120X140X10	120	140	10	10.00 ^{+0.60} -0.40	120.00 ^{-0.036} -0.090	140.00 ^{+0.063} +0.000	73.52
MCWI-125X140X8	125	140	8	8.00 ^{+0.60} -0.40	125.00 ^{-0.043} -0.106	140.00 ^{+0.063} +0.000	70.29
MCWI-125X140X9	125	140	9	9.00 ^{+0.60} -0.40	125.00 ^{-0.043} -0.106	140.00 ^{+0.063} +0.000	72.59
MCWI-130X146X9	130	146	9	9.00 ^{+0.60} -0.40	130.00 ^{-0.043} -0.106	146.00 ^{+0.063} +0.000	33.63
MCWI-140X160X10	140	160	10	10.00 ^{+0.60} -0.40	140.00 ^{-0.043} -0.106	160.00 ^{+0.063} +0.000	34.06
MCWI-150X170X10	150	170	10	10.00 ^{+0.60} -0.40	150.00 ^{-0.043} -0.106	170.00 ^{+0.063} +0.000	45.76

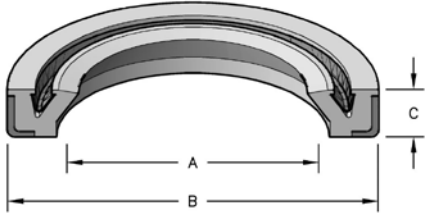
SPECIAL ORDER STYLE MCWI METAL CLAD WIPERS

Part Number	List Price	Part Number	List Price	Part Number	List Price
MCWI-22.2X34.9X8	\$ 8.44	MCWI-50.8X69.85X9.5	\$ 9.65	MCWI-82.55X101.6X6.3	\$ 12.07
MCWI-22.22X28.57X4	8.44	MCWI-53.97X66.67X8	9.65	MCWI-82.55X95.25X9.5	12.07
MCWI-25X32X7	8.44	MCWI-55X68X4	9.65	MCWI-85X95X7	12.07
MCWI-30X43X7.5	8.44	MCWI-57.15X73.02X6.3	9.65	MCWI-88.9X114.3X12.7	12.07
MCWI-31.75X47.62X6.35	8.95	MCWI-63.5X76.2X7	9.65	MCWI-95X115X10	58.39
MCWI-34.92X47.62X8	8.95	MCWI-65X75X7	10.46	MCWI-100X110X7	14.86
MCWI-38X50X7.5	8.95	MCWI-66.67X79.37X6.4	10.46	MCWI-100X115X4	15.91
MCWI-38.1X57.15X9.5	8.95	MCWI-76.2X101.6X12.7	10.46	MCWI-100X115X6.5	16.95
MCWI-41.27X53.97X6.3	9.65	MCWI-76.2X95.25X6.3	10.46		
MCWI-44.5X53.97X4.8	9.65	MCWI-79.37X92.07X5.85	10.46		



STYLE MCWS METAL CLAD WIPERS

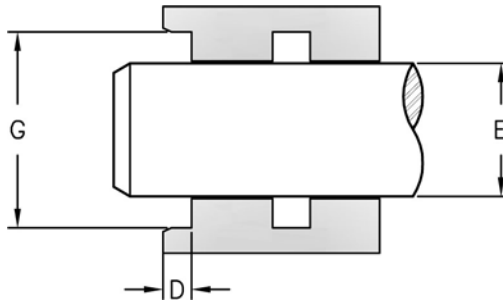
Molded from high grade urethane and bonded to a carbon steel case, this wiper utilizes a stainless steel finger spring to maintain a high radial force on the rod.



PART NUMBERS

MCWS - 32 X 42 X 7
 Type of Seal Inside Diameter Outside Diameter Height

SEAL INFORMATION	
MATERIAL	URETHANE
TEMPERATURE RANGE	-40° TO +200° F
SPEED	3 FT/SEC

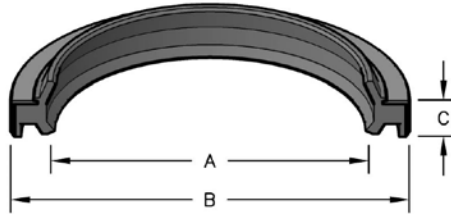


Part Number	A Nom. ID	B Nom. OD	C Nom. Ht	D GROOVE WIDTH	E ROD DIAMETER	G HOUSING DIAMETER	List Price
MCWS-32X42X7	32	42	7	7.00 ^{+0.50} / _{+0.30}	32.00 ^{-0.025} / _{-0.064}	42.00 ^{+0.10} / _{+0.00}	\$12.51
MCWS-40X50X7	40	50	7	7.00 ^{+0.50} / _{+0.30}	40.00 ^{-0.025} / _{-0.064}	50.00 ^{+0.10} / _{+0.00}	22.25
MCWS-45X55X7	45	55	7	7.00 ^{+0.50} / _{+0.30}	45.00 ^{-0.025} / _{-0.064}	55.00 ^{+0.12} / _{+0.00}	22.91
MCWS-50X60X7	50	60	7	7.00 ^{+0.50} / _{+0.30}	50.00 ^{-0.025} / _{-0.064}	60.00 ^{+0.12} / _{+0.00}	23.62
MCWS-56X68X7	56	68	7	7.00 ^{+0.50} / _{+0.30}	56.00 ^{-0.030} / _{-0.076}	68.00 ^{+0.12} / _{+0.00}	33.55
MCWS-63X75X7	63	75	7	7.00 ^{+0.50} / _{+0.30}	63.00 ^{-0.030} / _{-0.076}	75.00 ^{+0.12} / _{+0.00}	22.09
MCWS-63X83X10	63	83	10	10.00 ^{+0.60} / _{+0.40}	63.00 ^{-0.030} / _{-0.076}	83.00 ^{+0.14} / _{+0.00}	23.28
MCWS-70X90X10	70	90	10	10.00 ^{+0.60} / _{+0.40}	70.00 ^{-0.030} / _{-0.076}	90.00 ^{+0.14} / _{+0.00}	41.64
MCWS-80X100X10	80	100	10	10.00 ^{+0.60} / _{+0.40}	80.00 ^{-0.030} / _{-0.076}	100.00 ^{+0.14} / _{+0.00}	63.06

STYLE MCKB METAL CLAD WIPERS



Utilizing a double lip of nitrile bonded to a carbon steel case, this wiper prevents contaminant ingress at the wiping lip and around the outer case.

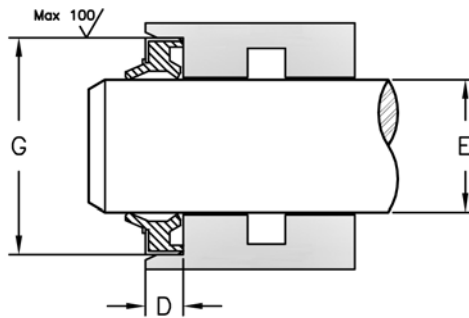


PART NUMBERS

MCKB - 20 X 32 X 6

Type of Seal Inside Diameter Outside Diameter Height

SEAL INFORMATION	
MATERIAL	80A NITRILE
TEMPERATURE RANGE	-20° TO +250° F
SPEED	3 FT/SEC



Part Number	A Nom. ID	B Nom. OD	C Nom. Ht	D GROOVE WIDTH	E ROD DIAMETER	G HOUSING DIAMETER	List Price
MCKB-20X32X6	20	32	6	6.00 +0.50 +0.30	20.00 -0.020 -0.053	32.00 +0.039 +0.000	\$ 16.49
MCKB-22X32X6	22	32	6	6.00 +0.50 +0.30	22.00 -0.020 -0.053	32.00 +0.039 +0.000	16.49
MCKB-22X34X6	22	34	6	6.00 +0.50 +0.30	22.00 -0.020 -0.053	34.00 +0.039 +0.000	17.64
MCKB-25X37X6	25	37	6	6.00 +0.50 +0.30	25.00 -0.020 -0.053	37.00 +0.039 +0.000	16.72
MCKB-30X42X6	30	42	6	6.00 +0.50 +0.30	30.00 -0.020 -0.053	42.00 +0.039 +0.000	16.72
MCKB-30X45X6	30	45	6	6.00 +0.50 +0.30	30.00 -0.020 -0.053	45.00 +0.039 +0.000	16.72
MCKB-30X47X7	30	47	7	7.00 +0.50 +0.30	30.00 -0.020 -0.053	47.00 +0.039 +0.000	23.72
MCKB-32X52X8	32	52	8	8.00 +0.60 +0.40	32.00 -0.025 -0.064	52.00 +0.046 +0.000	19.33
MCKB-35X47X7	35	47	7	7.00 +0.50 +0.30	35.00 -0.025 -0.064	47.00 +0.039 +0.000	17.64
MCKB-36X48X7	36	48	7	7.00 +0.50 +0.30	36.00 -0.025 -0.064	48.00 +0.039 +0.000	31.94
MCKB-40X52X7	40	52	7	7.00 +0.50 +0.30	40.00 -0.025 -0.064	52.00 +0.046 +0.000	21.56
MCKB-40X62X8	40	62	8	8.00 +0.60 +0.40	40.00 -0.025 -0.064	62.00 +0.046 +0.000	30.95
MCKB-45X57X7	45	57	7	7.00 +0.50 +0.30	45.00 -0.025 -0.064	57.00 +0.046 +0.000	23.50
MCKB-50X62X7	50	62	7	7.00 +0.50 +0.30	50.00 -0.025 -0.064	62.00 +0.046 +0.000	24.68
MCKB-50X72X8	50	72	8	8.00 +0.60 +0.40	50.00 -0.025 -0.064	72.00 +0.046 +0.000	55.20
MCKB-55X69X8	55	69	8	8.00 +0.60 +0.40	55.00 -0.030 -0.076	69.00 +0.046 +0.000	28.21



STYLE MCKB METAL CLAD WIPERS

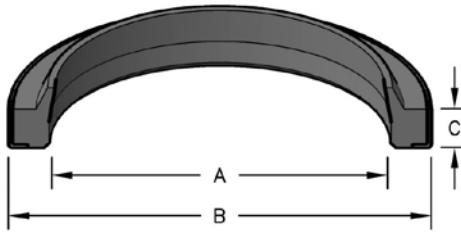
Part Number	A Nom. ID	B Nom. OD	C Nom. Ht	D GROOVE WIDTH	E ROD DIAMETER	G HOUSING DIAMETER	List Price
MCKB-60X74X8	60	74	8	8.00 ^{+0.60} / _{+0.40}	60.00 ^{-0.030} / _{-0.076}	74.00 ^{+0.046} / _{+0.000}	30.57
MCKB-63X77X8	63	77	8	8.00 ^{+0.60} / _{+0.40}	63.00 ^{-0.030} / _{-0.076}	77.00 ^{+0.046} / _{+0.000}	27.17
MCKB-65X79X8	65	79	8	8.00 ^{+0.60} / _{+0.40}	65.00 ^{-0.030} / _{-0.076}	79.00 ^{+0.046} / _{+0.000}	32.42
MCKB-70X84X8	70	84	8	8.00 ^{+0.60} / _{+0.40}	70.00 ^{-0.030} / _{-0.076}	84.00 ^{+0.054} / _{+0.000}	34.80
MCKB-75X89X8	75	89	8	8.00 ^{+0.60} / _{+0.40}	75.00 ^{-0.030} / _{-0.076}	89.00 ^{+0.054} / _{+0.000}	37.40
MCKB-80X94X8	80	94	8	8.00 ^{+0.60} / _{+0.40}	80.00 ^{-0.030} / _{-0.076}	94.00 ^{+0.054} / _{+0.000}	44.11
MCKB-85X99X8	85	99	8	8.00 ^{+0.60} / _{+0.40}	85.00 ^{-0.036} / _{-0.090}	99.00 ^{+0.054} / _{+0.000}	50.06
MCKB-90X104X8	90	104	8	8.00 ^{+0.60} / _{+0.40}	90.00 ^{-0.036} / _{-0.090}	104.00 ^{+0.054} / _{+0.000}	54.12
MCKB-95X109X8	95	109	8	8.00 ^{+0.60} / _{+0.40}	95.00 ^{-0.036} / _{-0.090}	109.00 ^{+0.054} / _{+0.000}	55.36
MCKB-100X114X8	100	114	8	8.00 ^{+0.60} / _{+0.40}	100.00 ^{-0.036} / _{-0.090}	114.00 ^{+0.054} / _{+0.000}	56.82
MCKB-105X121X9	105	121	9	9.00 ^{+0.60} / _{+0.40}	105.00 ^{-0.036} / _{-0.090}	121.00 ^{+0.063} / _{+0.000}	23.69
MCKB-112X128X9	112	128	9	9.00 ^{+0.60} / _{+0.40}	112.00 ^{-0.036} / _{-0.090}	128.00 ^{+0.063} / _{+0.000}	90.09
MCKB-115X131X9	115	131	9	9.00 ^{+0.60} / _{+0.40}	115.00 ^{-0.036} / _{-0.090}	131.00 ^{+0.063} / _{+0.000}	26.23

Seal color may vary. Special order sizes are available.

STYLE MCWN METAL CLAD WIPERS



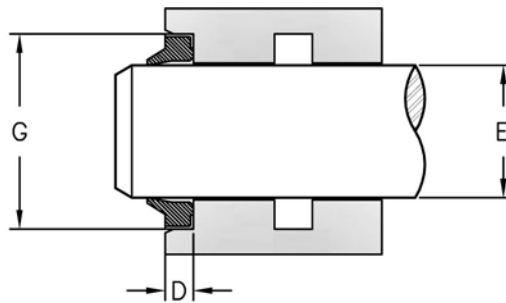
This wiper is a single lip design molded from high grade nitrile and bonded to a carbon steel case.



PART NUMBERS

MCWN - 10 X 16 X 3
 Type of Seal Inside Diameter Outside Diameter Height

SEAL INFORMATION	
MATERIAL	NITRILE
TEMPERATURE RANGE	-30° TO +220° F
SPEED	3 FT/SEC



Part Number	A Nom. ID	B Nom. OD	C Nom. Ht	D GROOVE WIDTH	E ROD DIAMETER	G HOUSING DIAMETER	List Price
MCWN-10X16X3	10	16	3	3.00 ^{+0.20} / _{+0.00}	10.00 ^{-0.013} / _{-0.035}	16.00 ^{+0.027} / _{+0.000}	\$2.31
MCWN-12X18X3.5	12	18	3.5	3.50 ^{+0.20} / _{+0.00}	12.00 ^{-0.016} / _{-0.043}	18.00 ^{+0.027} / _{+0.000}	3.31
MCWN-12X20X4	12	20	4	4.00 ^{+0.20} / _{+0.00}	12.00 ^{-0.016} / _{-0.043}	20.00 ^{+0.033} / _{+0.000}	2.31
MCWN-12X22X5	12	22	5	5.00 ^{+0.20} / _{+0.00}	12.00 ^{-0.016} / _{-0.043}	22.00 ^{+0.033} / _{+0.000}	2.50
MCWN-15X25X5	15	25	5	5.00 ^{+0.20} / _{+0.00}	15.00 ^{-0.016} / _{-0.043}	25.00 ^{+0.033} / _{+0.000}	2.31
MCWN-16X22X3	16	22	3	3.00 ^{+0.20} / _{+0.00}	16.00 ^{-0.016} / _{-0.043}	22.00 ^{+0.033} / _{+0.000}	6.76
MCWN-16X26X5	16	26	5	5.00 ^{+0.20} / _{+0.00}	16.00 ^{-0.016} / _{-0.043}	26.00 ^{+0.033} / _{+0.000}	3.79
MCWN-18X26X3	18	26	3	3.00 ^{+0.20} / _{+0.00}	18.00 ^{-0.016} / _{-0.043}	26.00 ^{+0.033} / _{+0.000}	3.31
MCWN-18X28X7	18	28	7	7.00 ^{+0.20} / _{+0.00}	18.00 ^{-0.016} / _{-0.043}	28.00 ^{+0.033} / _{+0.000}	4.81
MCWN-20X28X3.5	20	28	3.5	3.50 ^{+0.20} / _{+0.00}	20.00 ^{-0.020} / _{-0.053}	28.00 ^{+0.033} / _{+0.000}	2.17
MCWN-20X30X4	20	30	4	4.00 ^{+0.20} / _{+0.00}	20.00 ^{-0.020} / _{-0.053}	30.00 ^{+0.033} / _{+0.000}	2.50
MCWN-20X26X5	20	26	5	5.00 ^{+0.20} / _{+0.00}	20.00 ^{-0.020} / _{-0.053}	26.00 ^{+0.033} / _{+0.000}	8.96
MCWN-20X28X5	20	28	5	5.00 ^{+0.20} / _{+0.00}	20.00 ^{-0.020} / _{-0.053}	28.00 ^{+0.033} / _{+0.000}	2.31
MCWN-20X30X5	20	30	5	5.00 ^{+0.20} / _{+0.00}	20.00 ^{-0.020} / _{-0.053}	30.00 ^{+0.033} / _{+0.000}	2.63
MCWN-20X30X7	20	30	7	7.00 ^{+0.20} / _{+0.00}	20.00 ^{-0.020} / _{-0.053}	30.00 ^{+0.033} / _{+0.000}	2.50
MCWN-22X28X5	22	28	5	5.00 ^{+0.20} / _{+0.00}	22.00 ^{-0.020} / _{-0.053}	28.00 ^{+0.033} / _{+0.000}	2.50

STYLE MCWN METAL CLAD WIPERS

Part Number	A Nom. ID	B Nom. OD	C Nom. Ht	D GROOVE WIDTH	E ROD DIAMETER	G HOUSING DIAMETER	List Price
MCWN-22X32X5	22	32	5	5.00 ^{+0.20} / _{+0.00}	22.00 ^{-0.020} / _{-0.053}	32.00 ^{+0.039} / _{+0.000}	2.31
MCWN-22X32X7	22	32	7	7.00 ^{+0.20} / _{+0.00}	22.00 ^{-0.020} / _{-0.053}	32.00 ^{+0.039} / _{+0.000}	2.31
MCWN-25X33X4	25	33	4	4.00 ^{+0.20} / _{+0.00}	25.00 ^{-0.020} / _{-0.053}	33.00 ^{+0.039} / _{+0.000}	2.50
MCWN-25X35X5	25	35	5	5.00 ^{+0.20} / _{+0.00}	25.00 ^{-0.020} / _{-0.053}	35.00 ^{+0.039} / _{+0.000}	7.75
MCWN-25X35X7	25	35	7	7.00 ^{+0.20} / _{+0.00}	25.00 ^{-0.020} / _{-0.053}	35.00 ^{+0.039} / _{+0.000}	2.50
MCWN-28X38X5	28	38	5	5.00 ^{+0.20} / _{+0.00}	28.00 ^{-0.020} / _{-0.053}	38.00 ^{+0.039} / _{+0.000}	2.63
MCWN-28X38X7	28	38	7	7.00 ^{+0.20} / _{+0.00}	28.00 ^{-0.020} / _{-0.053}	38.00 ^{+0.039} / _{+0.000}	2.31
MCWN-28X40X7	28	40	7	7.00 ^{+0.20} / _{+0.00}	28.00 ^{-0.020} / _{-0.053}	40.00 ^{+0.039} / _{+0.000}	3.44
MCWN-30X40X5	30	40	5	5.00 ^{+0.20} / _{+0.00}	30.00 ^{-0.020} / _{-0.053}	40.00 ^{+0.039} / _{+0.000}	2.50
MCWN-30X40X7	30	40	7	7.00 ^{+0.20} / _{+0.00}	30.00 ^{-0.020} / _{-0.053}	40.00 ^{+0.039} / _{+0.000}	2.82
MCWN-32X40X4	32	40	4	4.00 ^{+0.20} / _{+0.00}	32.00 ^{-0.025} / _{-0.064}	40.00 ^{+0.039} / _{+0.000}	2.63
MCWN-32X45X4	32	45	4	4.00 ^{+0.20} / _{+0.00}	32.00 ^{-0.025} / _{-0.064}	45.00 ^{+0.039} / _{+0.000}	3.15
MCWN-32X42X5	32	42	5	5.00 ^{+0.20} / _{+0.00}	32.00 ^{-0.025} / _{-0.064}	42.00 ^{+0.039} / _{+0.000}	3.15
MCWN-32X42X7	32	42	7	7.00 ^{+0.20} / _{+0.00}	32.00 ^{-0.025} / _{-0.064}	42.00 ^{+0.039} / _{+0.000}	3.15
MCWN-32X45X7	32	45	7	7.00 ^{+0.20} / _{+0.00}	32.00 ^{-0.025} / _{-0.064}	45.00 ^{+0.039} / _{+0.000}	2.82
MCWN-33X43X7	33	43	7	7.00 ^{+0.20} / _{+0.00}	33.00 ^{-0.025} / _{-0.064}	43.00 ^{+0.039} / _{+0.000}	3.79
MCWN-35X45X7	35	45	7	7.00 ^{+0.20} / _{+0.00}	35.00 ^{-0.025} / _{-0.064}	45.00 ^{+0.039} / _{+0.000}	4.48
MCWN-35X47X7	35	47	7	7.00 ^{+0.20} / _{+0.00}	35.00 ^{-0.025} / _{-0.064}	47.00 ^{+0.039} / _{+0.000}	3.15
MCWN-36X46X5	36	46	5	5.00 ^{+0.20} / _{+0.00}	36.00 ^{-0.025} / _{-0.064}	46.00 ^{+0.039} / _{+0.000}	3.15
MCWN-38X48X7	38	48	7	7.00 ^{+0.20} / _{+0.00}	38.00 ^{-0.025} / _{-0.064}	48.00 ^{+0.039} / _{+0.000}	3.47
MCWN-40X50X5	40	50	5	5.00 ^{+0.20} / _{+0.00}	40.00 ^{-0.025} / _{-0.064}	50.00 ^{+0.039} / _{+0.000}	3.15
MCWN-40X50X7	40	50	7	7.00 ^{+0.20} / _{+0.00}	40.00 ^{-0.025} / _{-0.064}	50.00 ^{+0.039} / _{+0.000}	3.15
MCWN-40X52X7	40	52	7	7.00 ^{+0.20} / _{+0.00}	40.00 ^{-0.025} / _{-0.064}	52.00 ^{+0.046} / _{+0.000}	3.47
MCWN-42X52X7	42	52	7	7.00 ^{+0.20} / _{+0.00}	42.00 ^{-0.025} / _{-0.064}	52.00 ^{+0.046} / _{+0.000}	3.47
MCWN-45X55X5	45	55	5	5.00 ^{+0.20} / _{+0.00}	45.00 ^{-0.025} / _{-0.064}	55.00 ^{+0.046} / _{+0.000}	3.47
MCWN-45X55X7	45	55	7	7.00 ^{+0.20} / _{+0.00}	45.00 ^{-0.025} / _{-0.064}	55.00 ^{+0.046} / _{+0.000}	3.47
MCWN-45X57X7	45	57	7	7.00 ^{+0.20} / _{+0.00}	45.00 ^{-0.025} / _{-0.064}	57.00 ^{+0.046} / _{+0.000}	3.79
MCWN-45X60X7	45	60	7	7.00 ^{+0.20} / _{+0.00}	45.00 ^{-0.025} / _{-0.064}	60.00 ^{+0.046} / _{+0.000}	3.79
MCWN-50X56X5	50	56	5	5.00 ^{+0.20} / _{+0.00}	50.00 ^{-0.025} / _{-0.064}	56.00 ^{+0.046} / _{+0.000}	3.47
MCWN-50X60X5	50	60	5	5.00 ^{+0.20} / _{+0.00}	50.00 ^{-0.025} / _{-0.064}	60.00 ^{+0.046} / _{+0.000}	6.78

STYLE MCWN METAL CLAD WIPERS



Part Number	A Nom. ID	B Nom. OD	C Nom. Ht	D GROOVE WIDTH	E ROD DIAMETER	G HOUSING DIAMETER	List Price
MCWN-50X60X7	50	60	7	7.00 ^{+0.20} / _{+0.00}	50.00 ^{-0.025} / _{-0.064}	60.00 ^{+0.046} / _{+0.000}	6.12
MCWN-50X65X7	50	65	7	7.00 ^{+0.20} / _{+0.00}	50.00 ^{-0.025} / _{-0.064}	65.00 ^{+0.046} / _{+0.000}	4.16
MCWN-52X62X7	52	62	7	7.00 ^{+0.20} / _{+0.00}	52.00 ^{-0.030} / _{-0.076}	62.00 ^{+0.046} / _{+0.000}	7.44
MCWN-55X63X7	55	63	7	7.00 ^{+0.20} / _{+0.00}	55.00 ^{-0.030} / _{-0.076}	63.00 ^{+0.046} / _{+0.000}	4.16
MCWN-55X65X7	55	65	7	7.00 ^{+0.20} / _{+0.00}	55.00 ^{-0.030} / _{-0.076}	65.00 ^{+0.046} / _{+0.000}	3.97
MCWN-56X65X7	56	65	7	7.00 ^{+0.20} / _{+0.00}	56.00 ^{-0.030} / _{-0.076}	65.00 ^{+0.046} / _{+0.000}	4.16
MCWN-56X66X7	56	66	7	7.00 ^{+0.20} / _{+0.00}	56.00 ^{-0.030} / _{-0.076}	66.00 ^{+0.046} / _{+0.000}	4.29
MCWN-60X70X7	60	70	7	7.00 ^{+0.20} / _{+0.00}	60.00 ^{-0.030} / _{-0.076}	70.00 ^{+0.046} / _{+0.000}	6.60
MCWN-60X75X7	60	75	7	7.00 ^{+0.20} / _{+0.00}	60.00 ^{-0.030} / _{-0.076}	75.00 ^{+0.046} / _{+0.000}	4.81
MCWN-63X75X7	63	75	7	7.00 ^{+0.20} / _{+0.00}	63.00 ^{-0.030} / _{-0.076}	75.00 ^{+0.046} / _{+0.000}	4.16
MCWN-65X75X7	65	75	7	7.00 ^{+0.20} / _{+0.00}	65.00 ^{-0.030} / _{-0.076}	75.00 ^{+0.046} / _{+0.000}	4.81
MCWN-70X80X5	70	80	5	5.00 ^{+0.20} / _{+0.00}	70.00 ^{-0.030} / _{-0.076}	80.00 ^{+0.046} / _{+0.000}	6.80
MCWN-70X80X7	70	80	7	7.00 ^{+0.20} / _{+0.00}	70.00 ^{-0.030} / _{-0.076}	80.00 ^{+0.046} / _{+0.000}	5.60
MCWN-75X83X7	75	83	7	7.00 ^{+0.20} / _{+0.00}	75.00 ^{-0.030} / _{-0.076}	83.00 ^{+0.054} / _{+0.000}	6.45
MCWN-75X85X7	75	85	7	7.00 ^{+0.20} / _{+0.00}	75.00 ^{-0.030} / _{-0.076}	85.00 ^{+0.054} / _{+0.000}	6.13
MCWN-78X88X7	78	88	7	7.00 ^{+0.20} / _{+0.00}	78.00 ^{-0.030} / _{-0.076}	88.00 ^{+0.054} / _{+0.000}	10.34
MCWN-80X90X7	80	90	7	7.00 ^{+0.20} / _{+0.00}	80.00 ^{-0.030} / _{-0.076}	90.00 ^{+0.054} / _{+0.000}	6.45
MCWN-85X95X7	85	95	7	7.00 ^{+0.20} / _{+0.00}	85.00 ^{-0.036} / _{-0.090}	95.00 ^{+0.054} / _{+0.000}	13.16
MCWN-90X100X7	90	100	7	7.00 ^{+0.20} / _{+0.00}	90.00 ^{-0.036} / _{-0.090}	100.00 ^{+0.054} / _{+0.000}	11.14
MCWN-95X105X7	95	105	7	7.00 ^{+0.20} / _{+0.00}	95.00 ^{-0.036} / _{-0.090}	105.00 ^{+0.054} / _{+0.000}	10.26
MCWN-100X110X7	100	110	7	7.00 ^{+0.20} / _{+0.00}	100.00 ^{-0.036} / _{-0.090}	110.00 ^{+0.054} / _{+0.000}	10.73
MCWN-105X115X7	105	115	7	7.00 ^{+0.20} / _{+0.00}	105.00 ^{-0.036} / _{-0.090}	115.00 ^{+0.054} / _{+0.000}	11.73
MCWN-110X120X7	110	120	7	7.00 ^{+0.20} / _{+0.00}	110.00 ^{-0.036} / _{-0.090}	120.00 ^{+0.054} / _{+0.000}	12.42
MCWN-115X125X7	115	125	7	7.00 ^{+0.20} / _{+0.00}	115.00 ^{-0.036} / _{-0.090}	125.00 ^{+0.063} / _{+0.000}	13.41
MCWN-120X130X7	120	130	7	7.00 ^{+0.20} / _{+0.00}	120.00 ^{-0.036} / _{-0.090}	130.00 ^{+0.063} / _{+0.000}	15.40
MCWN-125X140X9	125	140	9	9.00 ^{+0.20} / _{+0.00}	125.00 ^{-0.043} / _{-0.106}	140.00 ^{+0.063} / _{+0.000}	12.73
MCWN-130X145X9	130	145	9	9.00 ^{+0.20} / _{+0.00}	130.00 ^{-0.043} / _{-0.106}	145.00 ^{+0.063} / _{+0.000}	13.55
MCWN-140X155X9	140	155	9	9.00 ^{+0.20} / _{+0.00}	140.00 ^{-0.043} / _{-0.106}	155.00 ^{+0.063} / _{+0.000}	14.89
MCWN-150X165X9	150	165	9	9.00 ^{+0.20} / _{+0.00}	150.00 ^{-0.043} / _{-0.106}	165.00 ^{+0.063} / _{+0.000}	33.51
MCWN-160X175X9	160	175	9	9.00 ^{+0.20} / _{+0.00}	160.00 ^{-0.043} / _{-0.106}	175.00 ^{+0.063} / _{+0.000}	17.86

STYLE MCWN METAL CLAD WIPERS


Part Number	A Nom. ID	B Nom. OD	C Nom. Ht	D GROOVE WIDTH	E ROD DIAMETER	G HOUSING DIAMETER	List Price
MCWN-180X195X10	180	195	10	10.00 ^{+0.20} / _{+0.00}	180.00 ^{-0.043} / _{-0.106}	195.00 ^{+0.072} / _{+0.000}	68.15
MCWN-200X220X12	200	220	12	12.00 ^{+0.20} / _{+0.00}	200.00 ^{-0.050} / _{-0.122}	220.00 ^{+0.072} / _{+0.000}	35.28


Seal color may vary. e.


SPECIAL ORDER STYLE MCWN METAL CLAD WIPERS


Part Number	List Price	Part Number	List Price	Part Number	List Price
MCWN-20X26X3.5	\$ 3.78	MCWN-60X74X5	\$ 9.73	MCWN-185X200X10	\$ 20.41
MCWN-24X35X5	7.36	MCWN-62X72X7	11.14	MCWN-240X260X12	155.52
MCWN-31.75X41.28X5.3	8.95	MCWN-82X92X7	12.30	MCWN-260X290X12	223.05
MCWN-32X45X5	6.78	MCWN-145X160X9	18.89		


MADE TO ORDER WIPERS


MWTF	SEAL INFORMATION	
	MATERIAL	PTFE
	TEMPERATURE RANGE	-75° TO +260° C
	SPEED	5,0 M/S

MCSW	SEAL INFORMATION	
	MATERIAL	NYLON
	TEMPERATURE RANGE	-40° TO +212° F
	SPEED	3 FT/SEC

MKW	SEAL INFORMATION	
	MATERIAL	URETHANE
	TEMPERATURE RANGE	-40° TO +200° F
	SPEED	3 FT/SEC

MSWSN	SEAL INFORMATION	
	MATERIAL	90° A NBR
	TEMPERATURE RANGE	-30° C TO +105° C
	SPEED	0,8 M/S

SWNB	SEAL INFORMATION	
	MATERIAL	90° A NBR
	TEMPERATURE RANGE	-30° C TO +105° C
	SPEED	0,8 M/S

MSWSHN	SEAL INFORMATION	
	MATERIAL	90° A NBR
	TEMPERATURE RANGE	-30° C TO +105° C
	SPEED	0,8 M/S

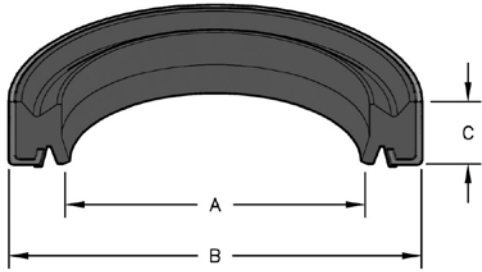
Part Number	List Price	Part Number	List Price	Part Number	List Price
MWTF-18X25.6X4.2	\$ 34.44	MWTF-95X107.2X8.1	\$ 15.28	MWTF-210X218.8X6	\$ 68.00
MWTF-20X27.6X4.2	3.78	MWTF-100X112.2X8.1	23.00	MWTF-210X226X9.5	153.78
MWTF-22X29.6X4.6	34.44	MWTF-105X113.8X6	19.22	MWTF-230X246X9.5	34.44
MWTF-25X32.6X4.2	6.89	MWTF-110X122.2X8.1	26.61	MWTF-240X248.8X6	97.56
MWTF-25X33.5X3.2	34.44	MWTF-120X128.8X6	24.72	MWTF-240X256X9.5	61.78
MWTF-36X42.8X5	16.78	MWTF-120X132.2X8.1	26.61	MWTF-250X266X9.5	82.39
MWTF-42X48.8X5	8.78	MWTF-125X133.8X6	29.09	MWTF-280X296X9.5	115.00
MWTF-42X50.8X6.3	34.44	MWTF-125X137.2X8.1	32.28	MWTF-300X316X9.5	148.67
MWTF-60X68.6X6.3	13.72	MWTF-130X142.2X8.1	29.17	MWTF-350X366X9.5	443.56
MWTF-60X68.8X6.3U	7.07	MWTF-135X147.2X8.1	33.83	MWTF-360X376X9.5	164.83
MWTF-63X71.8X6.3	14.44	MWTF-140X148.8X6	35.39	MCSW-16X26X4.5	3.74
MWTF-65X73.8X6.3	14.44	MWTF-140X156X9.5	38.52	MCSW-30X43X6	4.12
MWTF-75X87.2X8.1	19.94	MWTF-160X176X9.5	38.44	MCSW-36X49X6	4.71
MWTF-76.2X85X6	20.22	MWTF-170X186X9.5	47.22	MCSW-56X69X6	7.13
MWTF-85X93.8X6	14.67	MWTF-180X188.8X6	48.61	MCSW-60X73X6	7.49
MWTF-95X103.8X6	20.56	MWTF-180X196X9.5	56.67	MKW-100150	10.28



MADE TO ORDER WIPERS

Part Number	List Price	Part Number	List Price	Part Number	List Price
MKW-111.12X123.82X5.28	\$ 12.99	MSWSN-86X94X5.9	\$ 6.64	SWNB-118	\$ 3.65
MKW-112162	10.74	MSWSN-88X96X4	6.92	SWNB-162	3.17
MKW137187	13.80	MSWSN-93X101X4	7.48	SWNB-325	2.98
MKW-157207	16.84	MSWSN-95X103X4	7.76	SWNB-337	3.04
MKW-212262	18.06	MSWSN-97X105X4	8.32	SWNB- 400	3.04
MKW-325375	18.97	MSWSN-102X114X10	8.79	SWNB-425	9.93
MKW-362412	21.71	MSWSN-110X118X4	9.25	SWNB-450	3.23
MKW-374424	23.12	MSWSN-140X152X6	9.72	SWNB-525	4.20
MKW-450500	25.41	MSWSN-155X167X6	10.18	SWNB-537	3.29
MKW-50X62X6	7.55	MSWSN-160X172X6	10.65	SWNB-550	4.93
MKW-537587	28.56	MSWSN-165X177X6	11.12	SWNB-600	5.18
MKW-60X72.7X7	8.57	MSWSN-175X187X6	11.79	SWNB-662	5.85
MKW-63X75.7X5.3	9.89	MSWSN-190X202X6	14.84	MSWSHN-14X22X4	3.66
MSWSN-8X16X4	2.73	MSWSN-200X212X6	17.90	MSWSHN-15X23X4	4.20
MSWSN-10X18X4	3.01	MSWSN-220X235X6.5	20.95	MSWSHN-22X30X4	4.74
MSWSN-12X18X2.5	3.29	MSWSN-235X250X6.5	24.00	MSWSHN-26X34X4	5.28
MSWSN-14X22X4	3.57	MSWSN-240X255X6.5	27.05	MSWSHN-30X38X4	5.82
MSWSN-17X25X4	3.85	MSWSN-310X325X6.5	33.16	MSWSHN-63X71X4	6.35
MSWSN-23X31X4	4.13	SWNB-43	3.11	MSWSHN-75X83X4	6.89
MSWSN-24X32X4	4.41	SWNB-50	13.15	MSWSHN-95X103X4	7.43
MSWSN-33X41X7	4.97	SWNB-56	15.46	MSWSHN-100X108X4	7.97
MSWSN-54X62X4	5.25	SWNB-68	15.65	MSWSHN-110X122X5.5	8.51
MSWSN-62X70X4	5.81	SWNB-81	3.41	MSWSHN-115X127X5.5	9.05
MSWSN-63X71X4	6.09	SWNB-93	3.41	MSWSHN-135X147X5.5	10.12
MSWSN-73X81X4	6.37	SWNB-93A	3.65	MSWSHN-150X162X5.5	10.66

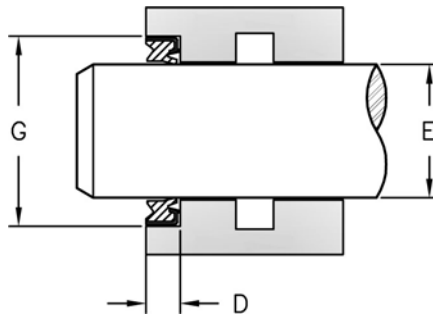
STYLE MCWHD METAL CLAD WIPERS



PART NUMBERS

MCWHD - 45 X 59 X 8.5

Type of Seal: MCWHD
 Inside Diameter: 45
 Outside Diameter: 59
 Height: 8.5



SEAL INFORMATION	
MATERIAL	URETHANE LIP STEEL CASE
TEMPERATURE RANGE	-65° TO +230° F
SPEED	3 FT/SEC

Part Number	A Nom. ID	B Nom. OD	C Nom. Ht	D GROOVE WIDTH	E ROD DIAMETER	G HOUSING DIAMETER	List Price
MCWHD-45X59X8.5	45	59	8.5	8.50	45.00	59.00	\$10.11
MCWHD-50X69X11	50	69	11	11.00	50.00	69.00	10.78
MCWHD-55X74X11	55	74	11	11.00	55.00	74.00	11.64
MCWHD-60X79X11	60	79	11	11.00	60.00	79.00	19.46
MCWHD-65X84.02X11	65	84.02	11	11.00	65.00	84.02	22.61
MCWHD-80X100X14	80	100	14	14.00	80.00	100.00	23.91
MCWHD-85X105X14	85	105	14	14.00	85.00	105.00	29.96
MCWHD-95X115X14	95	115	14	14.00	95.00	115.00	33.46